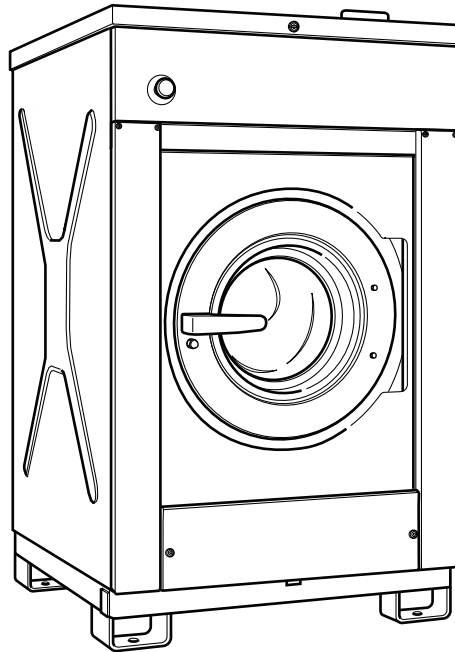


# Washer-Extractor

Cabinet Freestanding  
Refer to Page 3 for Model Numbers



CFD30C\_D1360



# Table of Contents

Title	Page
Parts Ordering Information.....	2
Nameplate Location.....	2
Model Identification.....	3
Cabinet Freestanding Washer-Extractor Product Overview.....	4
Frame - *55 and *235 Models.....	6
Frame - *75 and *305 Models.....	8
Shock and Spring Assembly - *55 and *235 Models.....	10
Shock and Spring Assembly - *75 and *305 Models.....	12
Tub and Drum - *55 and *235 Models.....	14
Tub and Drum - *75 and *305 Models.....	16
Bearing Assembly - *55 and *235 Models.....	18
Bearing Assembly - *75 and *305 Models.....	20
Basket, Pulley and Belt - *55 and *235 Models.....	22
Basket, Pulley and Belt - *75 and *305 Models.....	24
Motor - *55 and *235 Models.....	26
Motor - *75 and *305 Models.....	28
Drain Assembly - *55 and *235 Models.....	30
Drain Assembly - *75 and *305 Models.....	32
Door Lock.....	34
Door.....	36
Control Panel - Cygnus Professional.....	38
Control Panel - Cygnus Premium OPL and Ultra.....	40
Control Panel - Cygnus Standard/Commercial OPL.....	42
Control Panel - WE-8.....	44
Left Side, Lower Front and Upper Rear Panels - *55 and *235 Models.....	46
Left Side, Lower Front and Upper Rear Panels - *75 and *305 Models.....	48
Top, Right Side and Lower Back Panels - *55 and *235 Models.....	50
Top, Right Side and Lower Back Panels - *75 and *305 Models.....	52
Inverter Drive.....	54
Printboard Support Panel and Soap Injection Printboards - Cygnus Models.....	56
Printboard Support Panel and Soap Injection Printboards - WE-8 Models.....	58
Electrical Component Mounting Plate - Cygnus Models.....	60
Electrical Component Mounting Plate - WE-8 Models.....	62
Balance Switch.....	64
Fill Plumbing Assembly.....	66
Steam and Electric Heating Options.....	68
Spray Pump.....	70
Parts Index.....	73

© Copyright 2013, Alliance Laundry Systems LLC

All rights reserved. No part of the contents of this book may be reproduced or transmitted in any form or by any means without the expressed written consent of the publisher.

## Parts Ordering Information

If literature or replacement parts are required, contact the source from whom the machine was purchased or contact Alliance Laundry Systems at (920) 748-3950 for the name and address of the nearest authorized parts distributor.

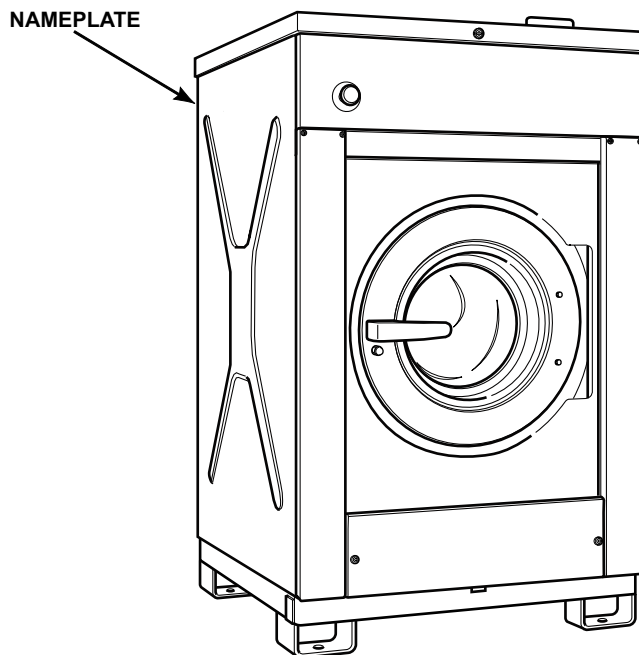
For technical assistance, call either of the numbers listed below:

(920) 748-3121 Ripon, Wisconsin

+32 56 41 20 54 Wevelgem, Belgium

## Nameplate Location

When calling or writing about your product, be sure to mention model and serial numbers. Model and serial numbers are located on nameplate(s) as shown.



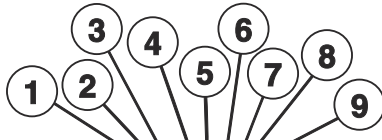
CFD30CA\_D1360



## Model Identification

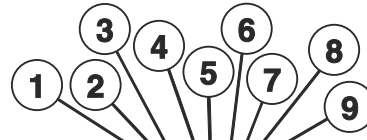
Information in this manual is applicable to these washer-extractor models:

CS055_CYGNUS-ULTRA	HD235_CYGNUS-COMM	IXN235C	JXW235C
CS075_CYGNUS-ULTRA	HD235_CYGNUS-PREM	IXN235U	JXW235X
CXE055X	HD235_CYGNUS-PRO	IXN235X	JXW235Y
CXE055Z	HD235_CYGNUS-STANDARD	IXN235Y	JXW235Z
CXE075X	HD305_CYGNUS-COMM	IXN235Z	JXW305C
CXE075Z	HD305_CYGNUS-PREM	IXN305C	JXW305X
CXG235X	HD305_CYGNUS-PRO	IXN305U	JXW305Y
CXG235Z	HD305_CYGNUS-STANDARD	IXN305X	JXW305Z
CXG305X	HX55_WE-8	IXN305Y	PXU235Y
CXG305Z	HX75_WE-8	IXN305Z	PXU305Y
CXN235U	HXE055P	IXR055U	SX55_WE-8
CXN235X	HXE075P	IXR075U	SX75_WE-8
CXN235Z	HXG235P	IXU235C	SXE055P
CXN305U	HXG305P	IXU235X	SXE075P
CXN305X	HXN235P	IXU235Y	SXG235P
CXN305Z	HXN305P	IXU235Z	SXG305P
CXR055U	HXR055P	IXU305C	SXN235P
CXR055X	HXR075P	IXU305X	SXN305P
CXR055Z	HXU235P	IXU305Y	SXR055P
CXR075U	HXU305P	IXU305Z	SXR075P
CXR075X	HXW235P	IXW235C	SXU235P
CXR075Z	HXW305P	IXW235X	SXU305P
CXU235X	HXZ235P	IXW235Y	SXW235P
CXU235Z	HXZ305P	IXW235Z	SXW305P
CXU305X	IS055_CYGNUS-ULTRA	IXW305C	SXZ235P
CXU305Z	IS075_CYGNUS-ULTRA	IXW305X	SXZ305P
CXW235X	IXG235C	IXW305Y	UX55_WE-8
CXW235Z	IXG235X	IXW305Z	UX75_WE-8
CXW305X	IXG235Y	IXZ235C	UXE055P
CXW305Z	IXG235Z	IXZ235X	UXE075P
CXZ235X	IXG305C	IXZ235Y	UXG235P
CXZ235Z	IXG305X	IXZ235Z	UXG305P
CXZ305X	IXG305Y	IXZ305C	UXN235P
CXZ305Z	IXG305Z	IXZ305X	UXN305P
DXU235X		IXZ305Y	UXR055P
DXU305X		IXZ305Z	UXR075P
			UXU235P
			UXU305P
			UXW235P
			UXW305P
			UXZ235P
			UXZ305P
			WXU235C
			WXU305C

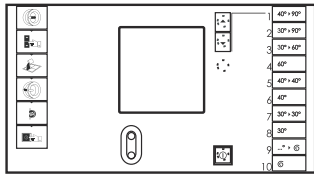
# Cabinet Freestanding Washer-Extractor Product Overview



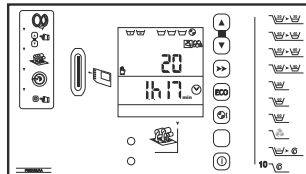
Model No: <b>IXU135XNCU0E</b>	Serial No: 12090AE0036
Volts: 380-415V	Type: <b>HD135</b>
Hertz: 50(60)Hz	Capacity: <b>1</b> 30/13.2 lbs/kg <b>3</b>
Phase: 3+N	Water Pressure: 28-85 psi
Amps: 24.3 amps	Pressure: 2-6 bar
Recommended Circuit Breaker: 25 amps	Max Speed: 1000 rpm
Electrical Heating: 12-14. kW	Net Weight: 788 lbs
Steam Heat: N/A psi / N/A bar	Weight: 358 kg
Sound Level: 62/73 dBA	IPX4
sfc 807393	
<p><b>Alliance International BVBA</b>   Nieuwstraat 146              8560 Wevelgem              Belgium              Tel: +32 56 41 20 54              Fax: +32 56 41 86 74              www.ipsa.be              Country of origin: Belgium</p> 	



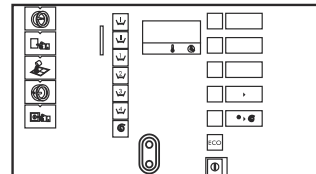
Model No: <b>IHM185SNLXUOP</b>	Serial No: 1209BG0043
Volts: 200-240V	Type: <b>WD185</b>
Hertz: 60(50)Hz	Capacity: <b>1</b> 40/18.2 lbs/kg <b>3</b>
Phase: 1	Water Pressure: 28-85 psi
Amps: 3.5 amps	Pressure: 2-6 bar
Recommended Circuit Breaker: 15 amps	Max Speed: 470 rpm
Electrical Heating: N/A kW	Net Weight: 618 lbs
Steam Heat: N/A psi / N/A bar	Weight: 281 kg
Sound Level: 62/73 dBA	IPX4
sfc 807410	
<p><b>Alliance International BVBA</b>   Nieuwstraat 146              8560 Wevelgem              Belgium              Tel: +32 56 41 20 54              Fax: +32 56 41 86 74              www.ipsa.be              Country of origin: Belgium</p> 	



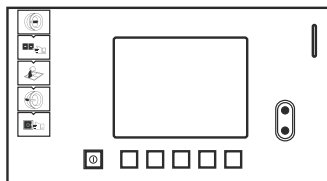
Cygnus Premium Coin



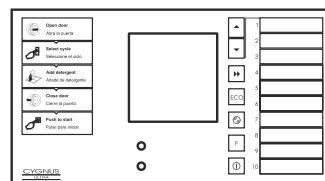
Cygnus Premium OPL



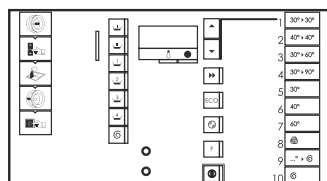
Cygnus Standard OPL



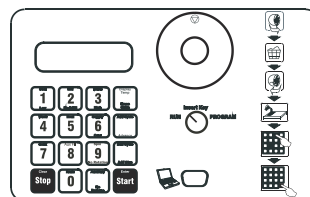
Cygnus Professional



Cygnus Ultra



Cygnus Commercial



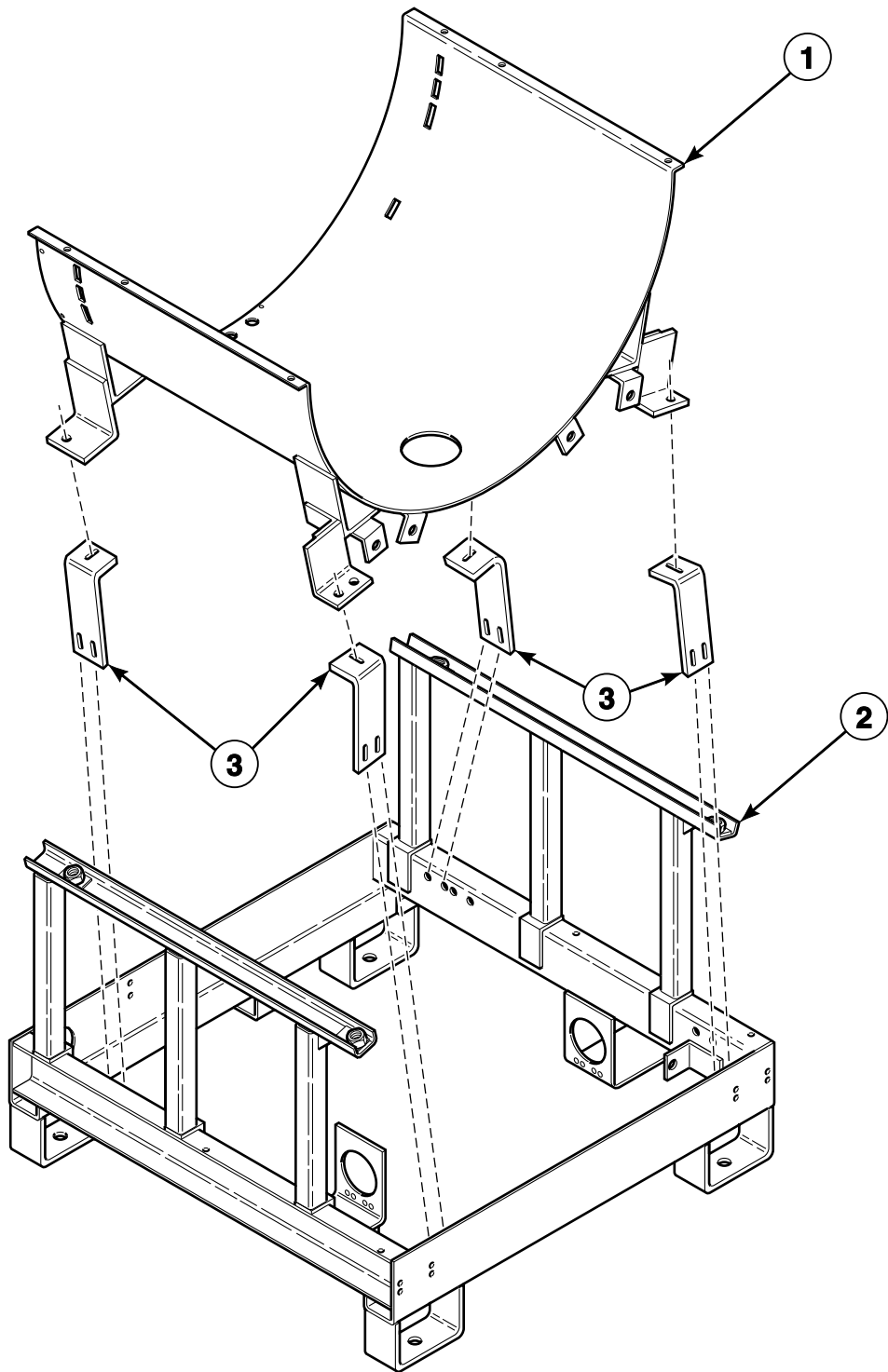
WE-8

CFD605P\_D1360

# Cabinet Freestanding Washer-Extractor Product Overview

REF	PART NO.	DESCRIPTION	COMMENTS
1	-	Product Family	CS CX DX HD HX IS IX JX PX SX UX WX
2	-	Market	E (EU [CE] Pounds) G (GOS) N (US ETL/ETL[C]) R (US ETL/ETL[C]) U (EU [CE]) W (EU [CE] WRAS) Z (No Agency Int.)
3	-	Capacity	55 75 235 305
4	-	Control	C (Cygnus Standard) P (WE-8) U (Cygnus Ultra) X (Cygnus Commercial) Y (Cygnus Premium) Z (Cygnus Professional)
5	-	Actuation	C (Single Coin Drop) D (Dual Coin Drop) E (Electronic Coin Drop) L (Central Pay Pulses) N (OPL) S (Central Pay Serial Comm)
6	-	Speed	H (High Speed)
7	-	Voltage	C (380-415/50-60/3/4) N (440-480/50-60/3/3) P (380-415/50-60/3/3) Q (200-208/220-240/50-60/3/3) X (200-208/220-240/50-60/1/2/2)
8	-	Cabinet	I (Stainless Steel Side Panels) U (Standard)
9	-	Design	1

# Frame - \*55 and \*235 Models



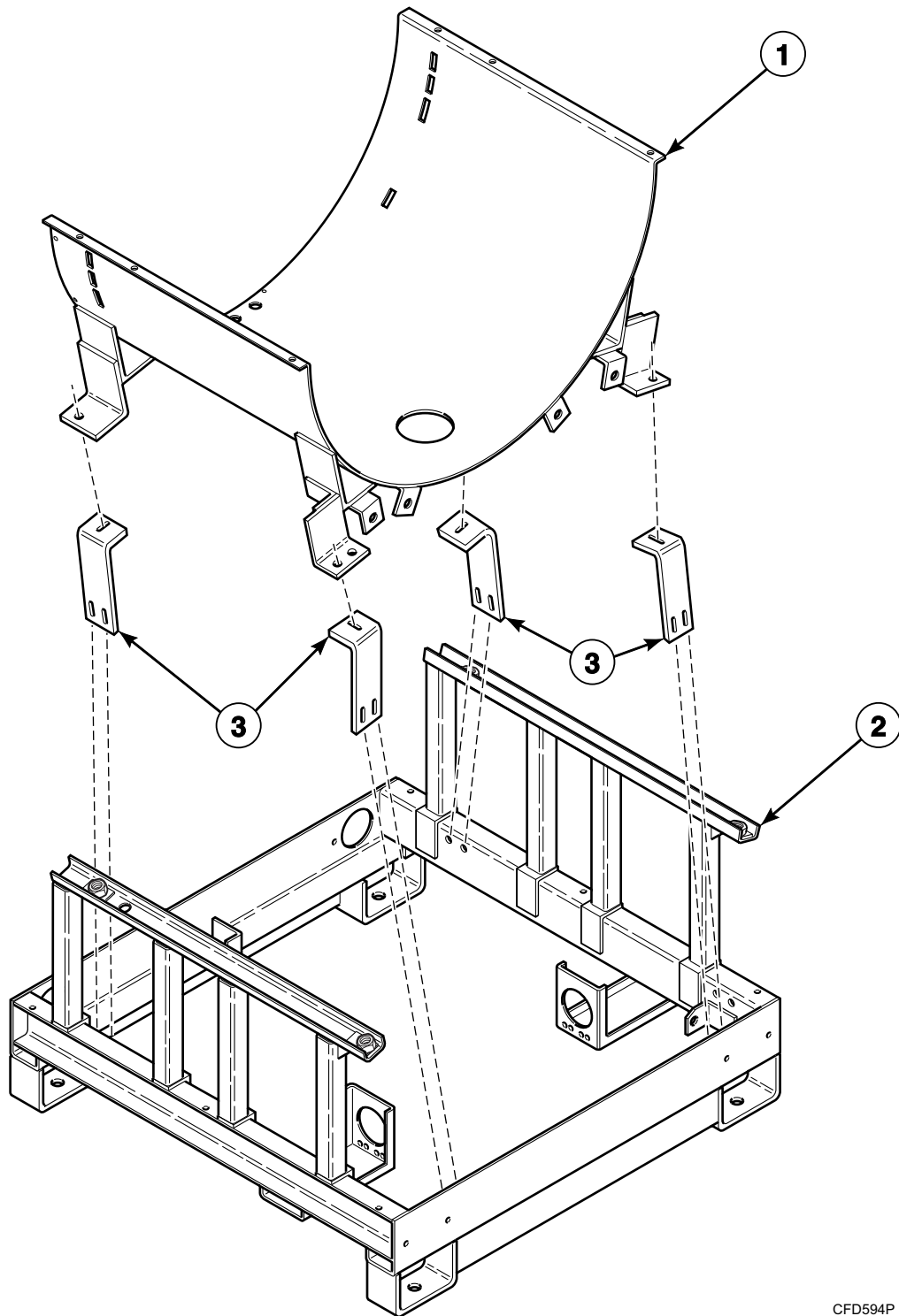
CFD593P\_D1360



## Frame - \*55 and \*235 Models

REF	PART NO.	DESCRIPTION	COMMENTS
1	115/00144/00	Tub Support	
2	114/00019/50	Frame	
3	114/00024/00	Shipping Brace	

# Frame - \*75 and \*305 Models

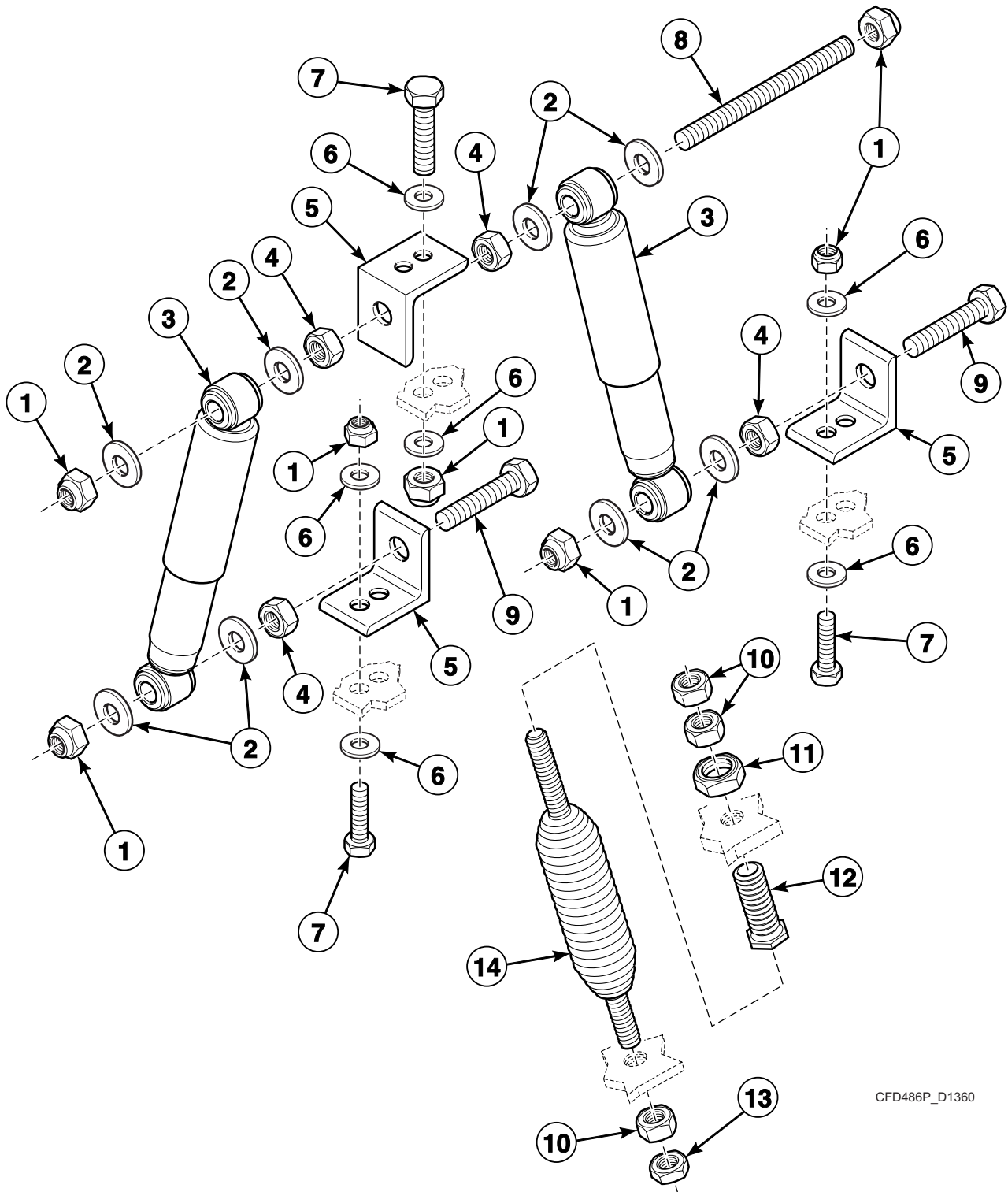


CFD594P\_D1360

## Frame - \*75 and \*305 Models

REF	PART NO.	DESCRIPTION	COMMENTS
1	115/00118/00	Tub Support	
2	114/00018/50	Frame	
3	114/00023/00	Shipping Brace	

# Shock and Spring Assembly - \*55 and \*235 Models

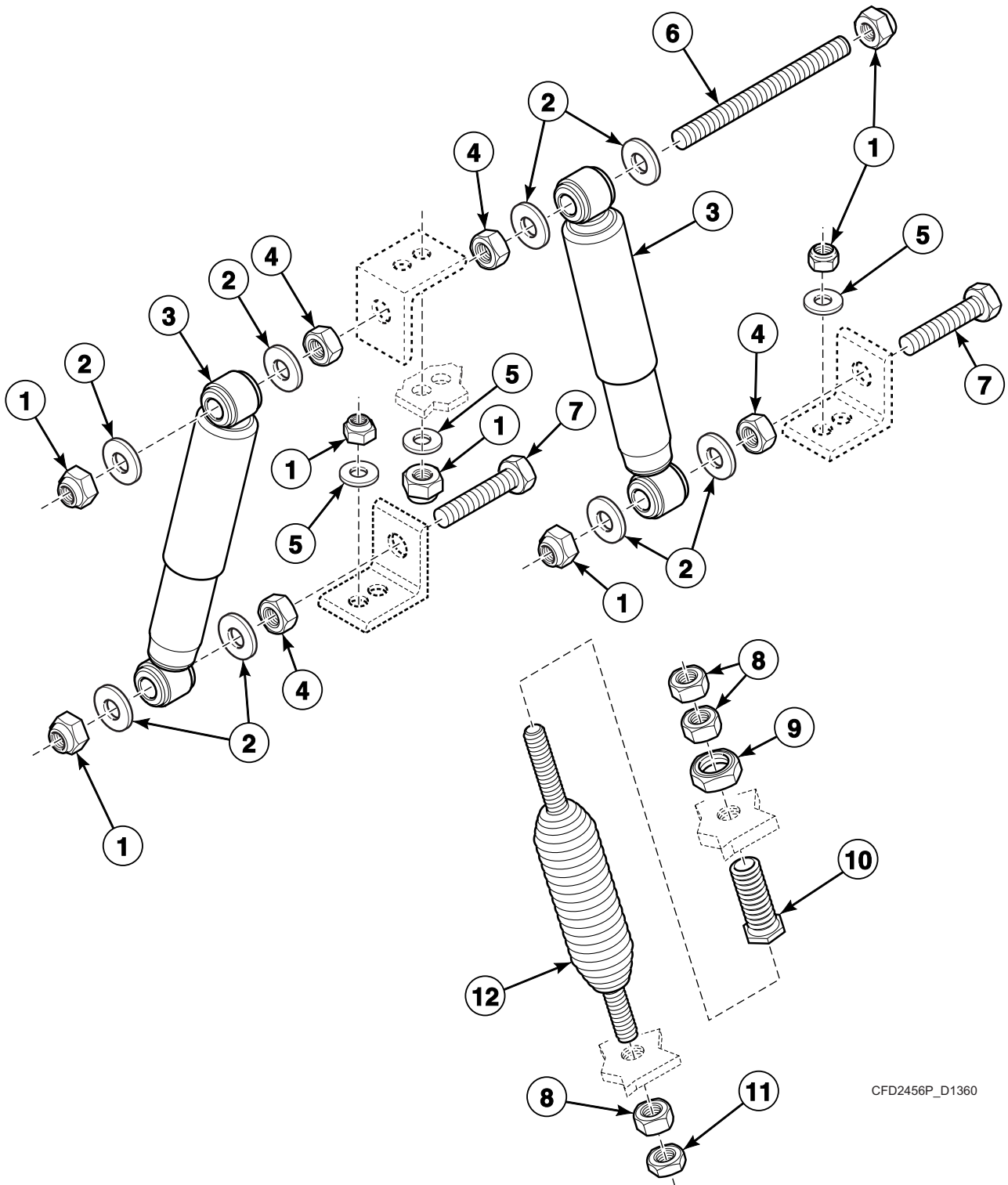


CFD486P\_D1360

## Shock and Spring Assembly - \*55 and \*235 Models

REF	PART NO.	DESCRIPTION	COMMENTS
	B12419101	Shock Absorber Service Kit	Includes items 1-3, 5, 6 and 8-10, 206/00119/00 Bolt, 204/00110/00 Nut, 111/10101/00 Dispenser Front Mounting Plate, 111/10102/00 Dispenser Rear Mounting Plate, 206/00027/00 Bolt, 202/00004/00 Washer, 204/00114/00 Nut, B12419501 Small Caliber and B12419401 Large Caliber
1	204/00113/00	Nut	
2	201/00001/00	Washer	
3	247/00008/00	Shock Absorber	
4	204/00012/00	Nut	
5	B12418401	Support	
6	201/00010/00	Washer	
7	206/00087/00	Bolt	
8	B12511601	Threaded Rod	
9	206/00153/00	Bolt	
10	204/00012/00	Nut	
11	204/00016/00	Nut	
12	224/00046/00	Bolt	
13	204/00019/00	Nut	
14	B12456301	Suspension Spring	

# Shock and Spring Assembly - \*75 and \*305 Models

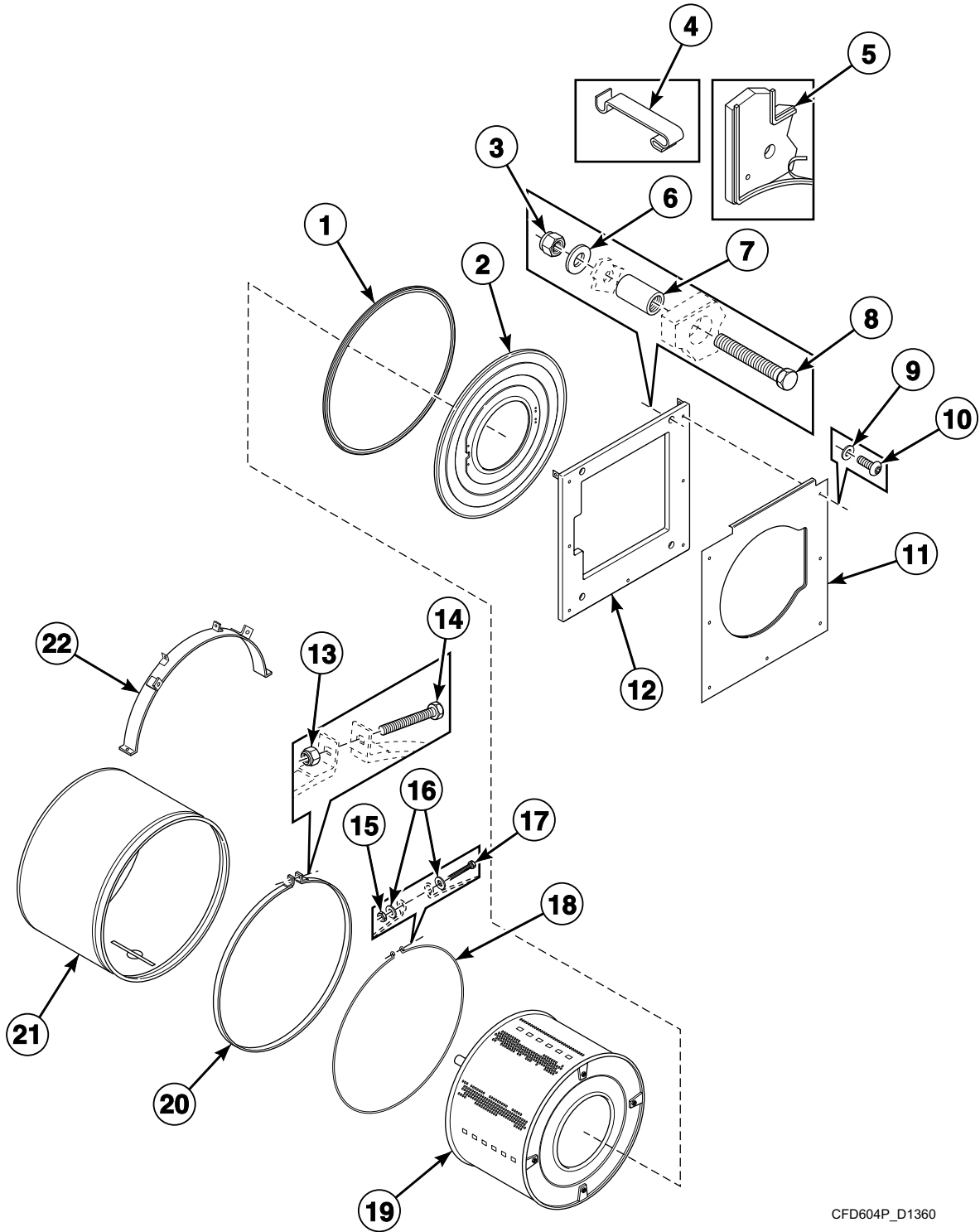


CFD2456P\_D1360

## Shock and Spring Assembly - \*75 and \*305 Models

REF	PART NO.	DESCRIPTION	COMMENTS
	B12460901	Shock Absorber Service Kit	Includes items 1-3, 5, 6, 8-11 and 16, 206/00119/00 Bolt, 204/00110/00 Nut, B12459801 Out-of-Balance Frame, B12456101 Support Bracket, B12456201 Support Bracket, 206/00027/00 Bolt, 202/00004/00 Washer, 204/00114/00 Nut, B12463301 Small Caliber, B12463201 Large Caliber
<b>1</b>	204/00113/00	Nut	
<b>2</b>	201/00001/00	Washer	
<b>3</b>	247/00008/00	Shock Absorber	
<b>4</b>	204/00012/00	Nut	
<b>5</b>	201/00010/00	Washer	
<b>6</b>	B12511601	Threaded Rod	
<b>7</b>	206/00153/00	Bolt	
<b>8</b>	204/00012/00	Nut	
<b>9</b>	204/00016/00	Nut	
<b>10</b>	224/00046/00	Bolt	
<b>11</b>	204/00019/00	Nut	
<b>12</b>	B12456301	Suspension Spring	

# Tub and Drum - \*55 and \*235 Models



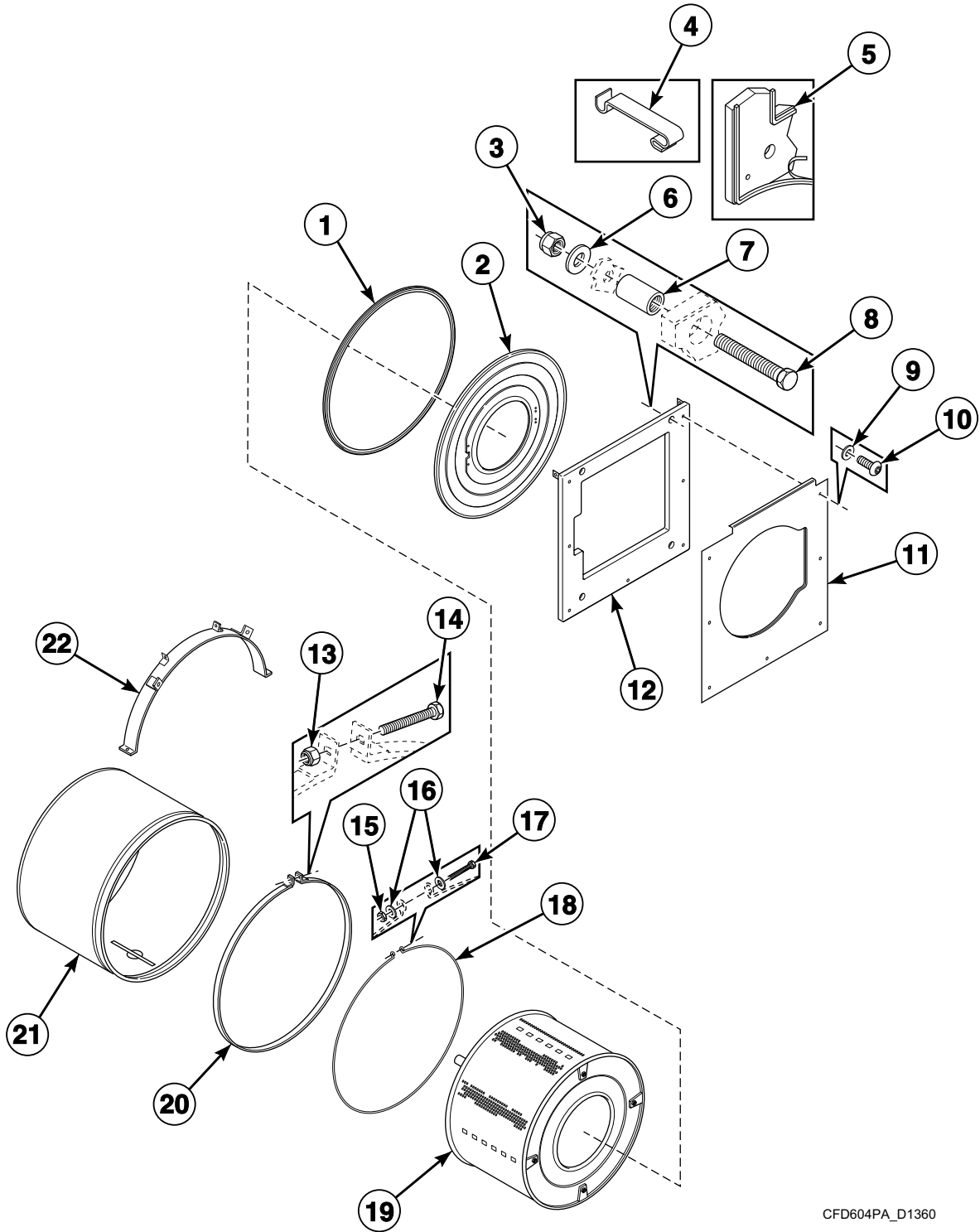
CFD604P\_D1360



## Tub and Drum - \*55 and \*235 Models

REF	PART NO.	DESCRIPTION	COMMENTS
1	B12351601	Tub Front Gasket	
2	138/00001/00	Tub Front	
3	204/00113/00	Nut	
4	217/00008/00	Tub Front Panel Clip	
5	246/00092/00	Gasket	Per meter
6	201/00001/00	Washer	
7	115/00151/00	Spacer	
8	206/00071/00	Bolt	
9	202/00112/00	Washer	
10	205/00103/00	Bolt	
11	111/05015/00	Door Front Panel	
12	115/00140/00	Counterweight	
13	204/00111/00	Nut	
14	206/00066/00	Bolt	
15	204/00009/00	Nut	
16	201/00007/00	Washer	
17	206/00032/00	Bolt	
18	238/00011/00	Tub Clamp Ring	
19	B12380901	Basket	3 mm; Used with B12333701 Seal Holder Assembly
	B12381001	Basket	9 mm; Used with B12333701 Seal Holder Assembly
20	137/00008/00	Tub Mounting Strap	
21	B12330101	Tub	Electric heat
	119/00251/00	Tub	Steam heat
	B12330201	Tub	Boiler fed
	119/00250/00	Tub	Electric and steam heat
	119/00253/00	Tub	Electric and steam heat with circulation pump
22	115/00161/00	Tub Front Mounting Strap	

# Tub and Drum - \*75 and \*305 Models

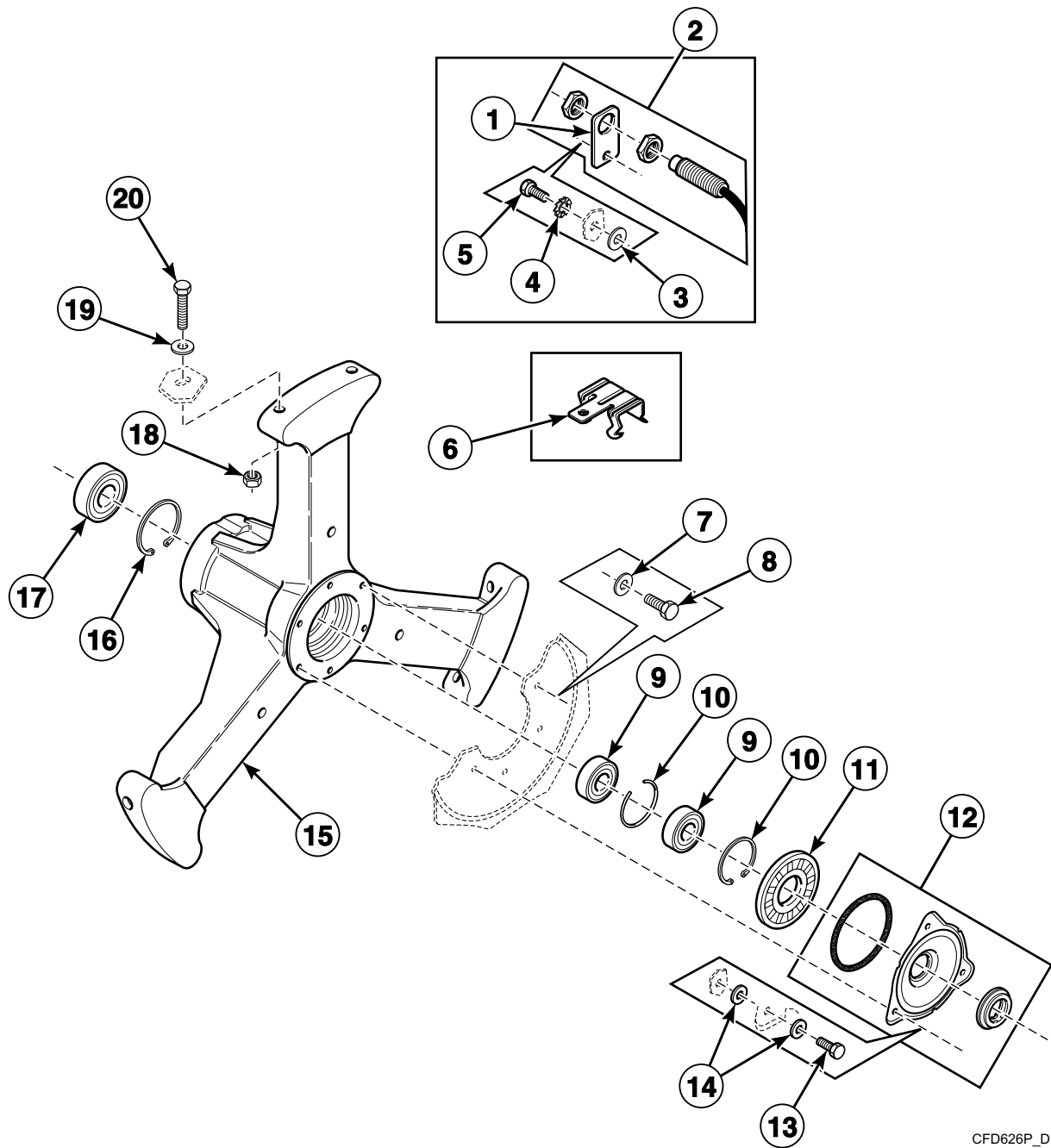


CFD604PA\_D1360

## Tub and Drum - \*75 and \*305 Models

REF	PART NO.	DESCRIPTION	COMMENTS
1	223/00242/00	Tub Front Gasket	
2	131/00002/00	Front Panel	
3	204/00113/00	Nut	
4	217/00008/00	Tub Front Panel Clip	
5	246/00092/00	Gasket	Per meter
6	201/00001/00	Washer	
7	115/00151/00	Spacer	
8	206/00071/00	Bolt	
9	202/00101/00	Washer	
10	205/00103/00	Bolt	
11	111/32945/00	Door Front Panel	
12	115/00136/00	Counterweight	
13	204/00009/00	Nut	
14	206/00066/00	Bolt	
15	204/00009/00	Nut	
16	201/00007/00	Washer	
17	206/00032/00	Bolt	
18	231/00010/00	Tub Front Ring Clamp	
19	B12327301	Drum	
20	131/00010/00	Tub Strap	
21	119/10208/00	Tub	Boiler fed
	119/10210/00	Tub	Steam heat
	B12330501	Tub	Electric and steam heat
22	115/00163/00	Tub Tightening Ring	

# Bearing Assembly - \*55 and \*235 Models

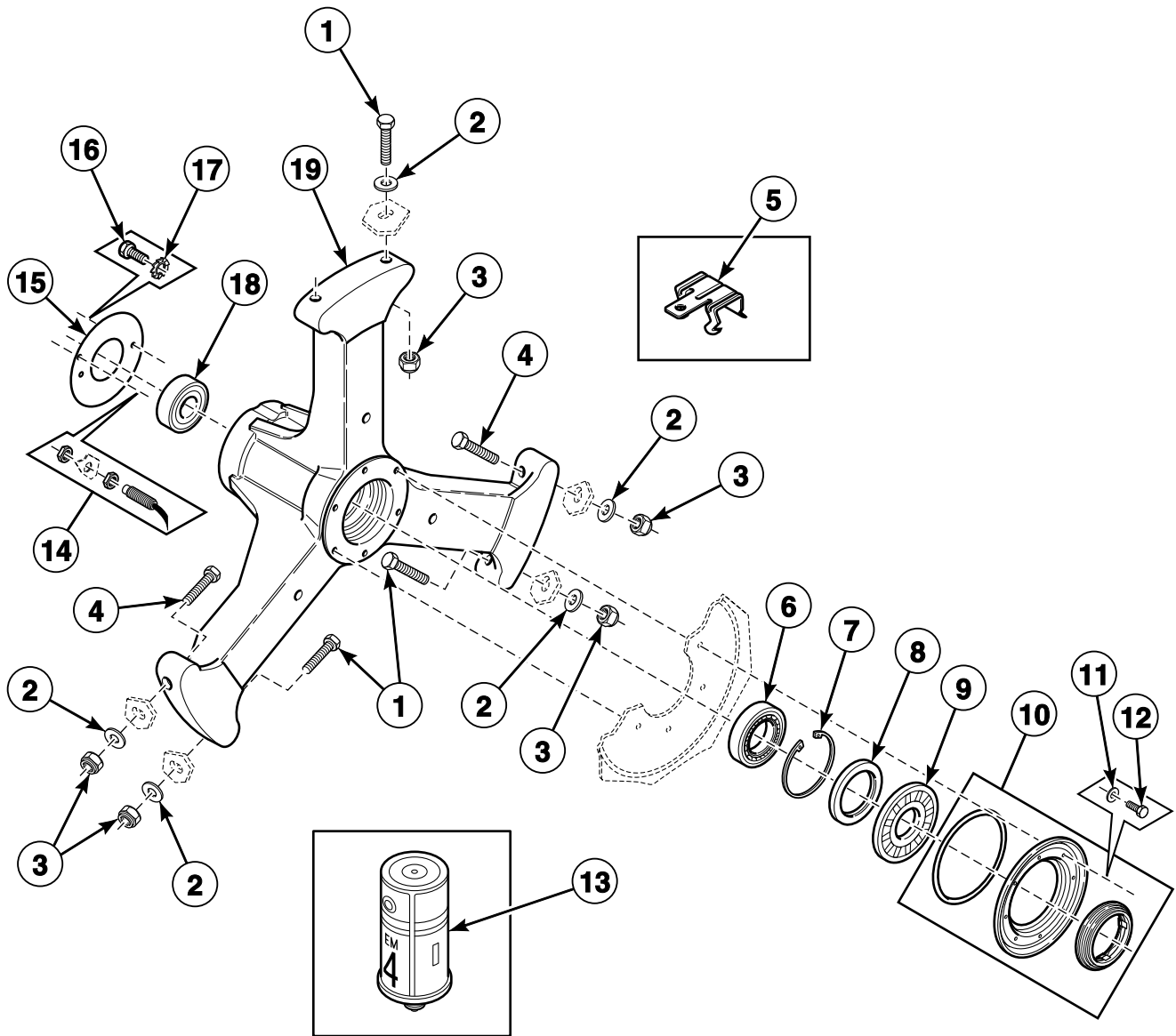


CFD626P\_D1360

## Bearing Assembly - \*55 and \*235 Models

REF	PART NO.	DESCRIPTION	COMMENTS
	3884P	Bearing and Seal Kit	Includes items 8, 10-13, 16, 219/00004/00 Counter Ring and 223/00242/00 Tub Front Gasket
	381P3P	Bearing Replacement Tool Kit	Purchase
	381P3-1	Bearing Replacement Tool Kit	Rental; Requires F407P4 Hardware Kit
	F407P4	Hardware Kit	
<b>1</b>	152/00055/00	Speed Detector Bracket	
<b>2</b>	210/00074/00	Speed Detector	Includes item 1
<b>3</b>	202/00003/00	Washer	
<b>4</b>	203/00004/00	Washer	
<b>5</b>	205/00104/00	Bolt	
<b>6</b>	224/00051/00	Caddy Bracket	
	224/00052/00	Caddy Bracket	
<b>7</b>	201/00201/00	Washer	
<b>8</b>	206/00014/00	Bolt	
<b>9</b>	212/00004/00	Ball Bearing	
<b>10</b>	212/00006/00	Retainer Ring	
<b>11</b>	B12332301	Lip Seal	
<b>12</b>	B12333701	Seal Plate Assembly	
<b>13</b>	205/00102/00	Bolt	
<b>14</b>	201/00102/00	Washer	
<b>15</b>	139/10006/00	Bearing Housing Assembly	
<b>16</b>	212/00037/00	Retainer Ring	
<b>17</b>	F100134	Bearing	
<b>18</b>	204/00113/00	Nut	
<b>19</b>	201/00001/00	Washer	
<b>20</b>	248/00114/00	Bolt	

# Bearing Assembly - \*75 and \*305 Models

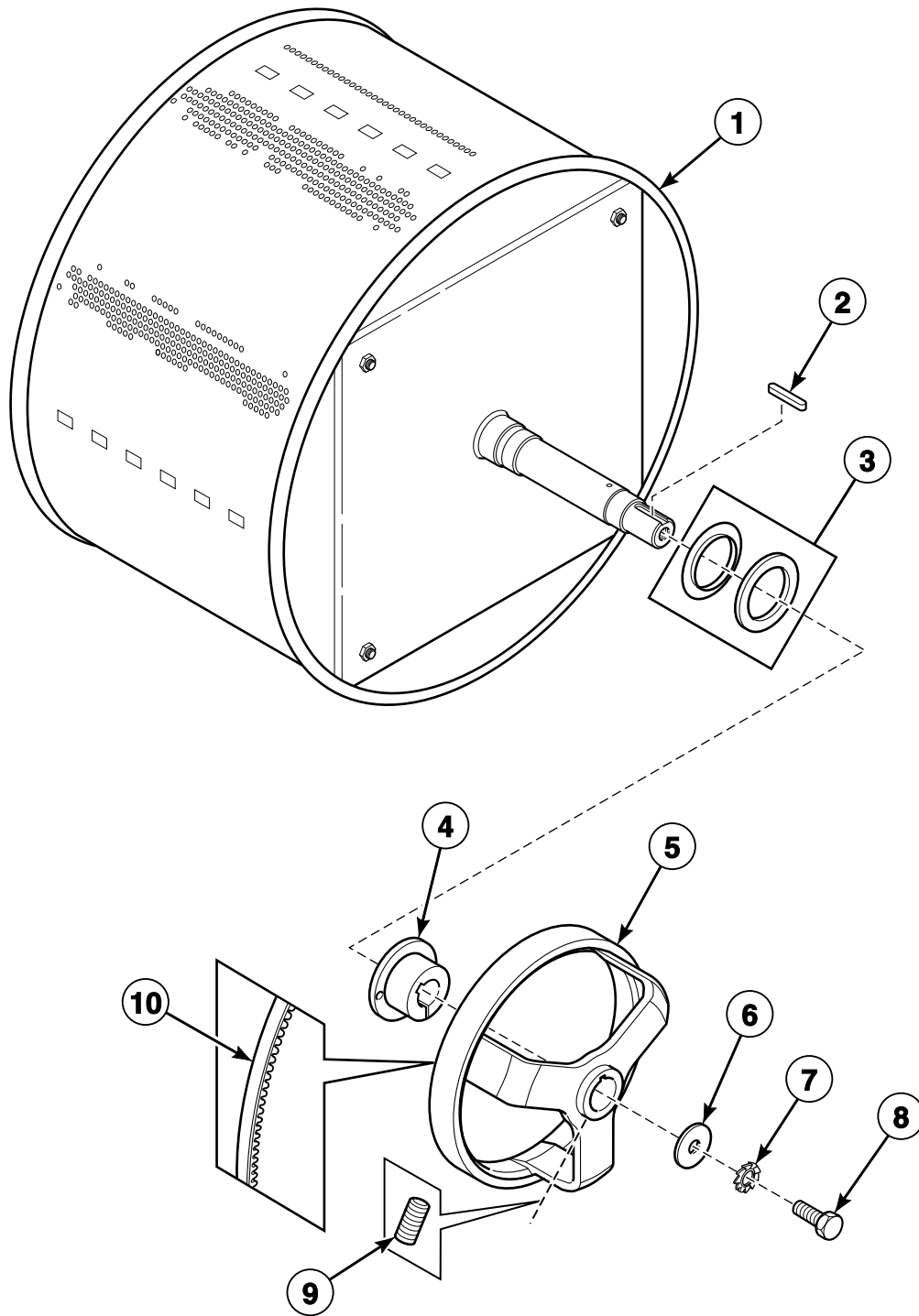


CFD627P\_D1360

## Bearing Assembly - \*75 and \*305 Models

REF	PART NO.	DESCRIPTION	COMMENTS
	892P3	Bearing Replacement Kit	Includes items 6, 9-12, 18, 232/00008/00 Counter Ring and 223/00242/00 Tub Front Gasket
	385P4P	Bearing Replacement Tool Kit	Purchase
	385P4-1	Bearing Replacement Tool Kit	Rental; Requires F405P4 Hardware Kit
	F405P4	Hardware Kit	
1	206/00122/00	Bolt	
2	201/00001/00	Washer	
3	204/00113/00	Nut	
4	206/00047/00	Bolt	
5	224/00052/00	Caddy Bracket	
	224/00051/00	Caddy Bracket	
6	212/00004/00	Ball Bearing	
7	212/00006/00	Retainer Ring	
8	212/00007/00	Grease Ring	
9	B12332301	Lip Seal	
10	131/00035/01	Seal Holder Assembly	
11	201/00202/00	Washer	
12	205/00104/00	Bolt	
13	212/00002/00	Lubricator	
14	210/00075/00	Speed Detector	Includes 152/00055/00 Speed Detector Bracket
15	112/00004/00	Bearing Housing Cover	
16	206/00010/00	Bolt	
17	203/00003/00	Washer	
18	F100134	Bearing	
19	212/00036/00	Bearing Housing Assembly	

# Basket, Pulley and Belt - \*55 and \*235 Models



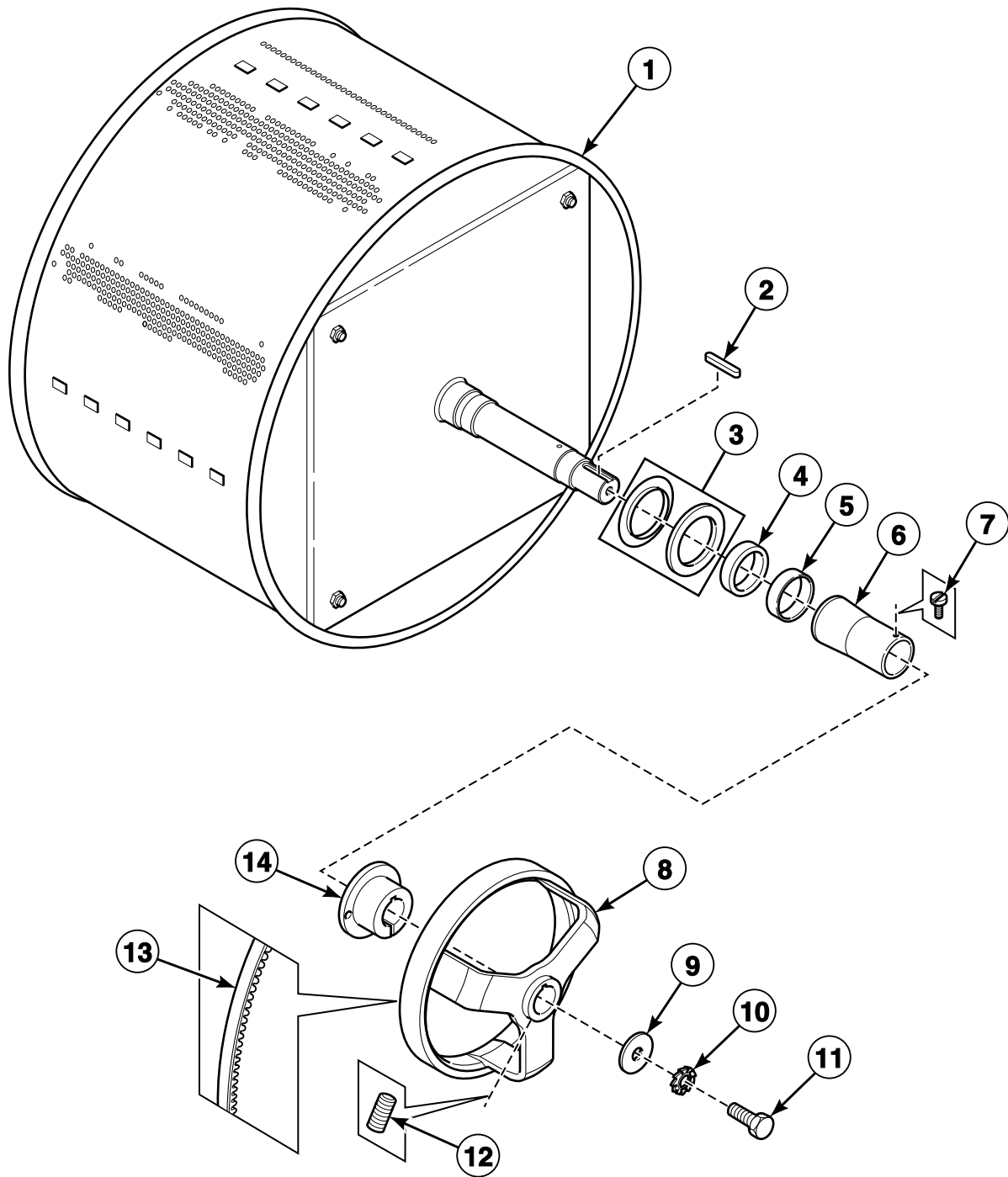
CFD637P\_D1360



## Basket, Pulley and Belt - \*55 and \*235 Models

REF	PART NO.	DESCRIPTION	COMMENTS
1	B12380901	Basket	Used with B12333701 Seal Holder Assembly; 3 mm
	B12381001	Basket	Used with B12333701 Seal Holder Assembly; 9 mm
2	212/00026/00	Key	
3	219/00004/00	Counter Ring	
4	239/00013/00	Pulley	
5	226/00148/00	Pulley	
6	201/00011/00	Washer	
7	203/00001/00	Washer	
8	206/00004/00	Bolt	
9	206/00056/00	Screw	
10	226/00149/00	Belt	

# Basket, Pulley and Belt - \*75 and \*305 Models

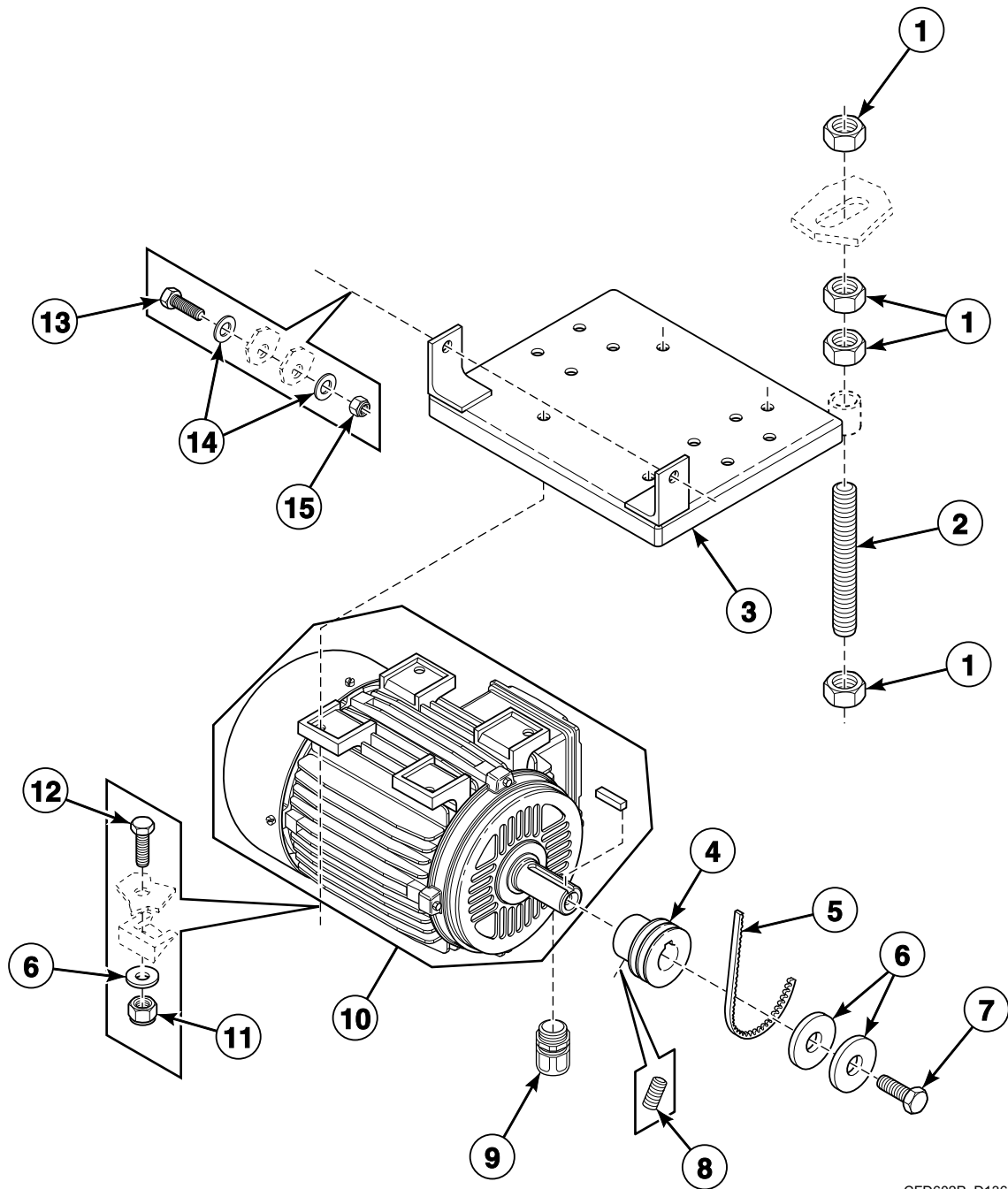


CFD449P\_D1360

## Basket, Pulley and Belt - \*75 and \*305 Models

REF	PART NO.	DESCRIPTION	COMMENTS
1	B12327301	Drum	
2	212/00026/00	Key	
3	232/00008/00	Counter Ring	
4	132/00009/00	Shaft Seal	
5	212/00005/00	Roller Bearing	
6	232/00020/00	Bearing Spacer	
7	207/00110/00	Screw	
8	226/00150/00	Pulley	
9	201/00011/00	Washer	
10	203/00001/00	Washer	
11	204/00004/00	Nut	
12	206/00056/00	Screw	
13	226/00151/00	Belt	
14	239/00013/00	Pulley	

# Motor - \*55 and \*235 Models

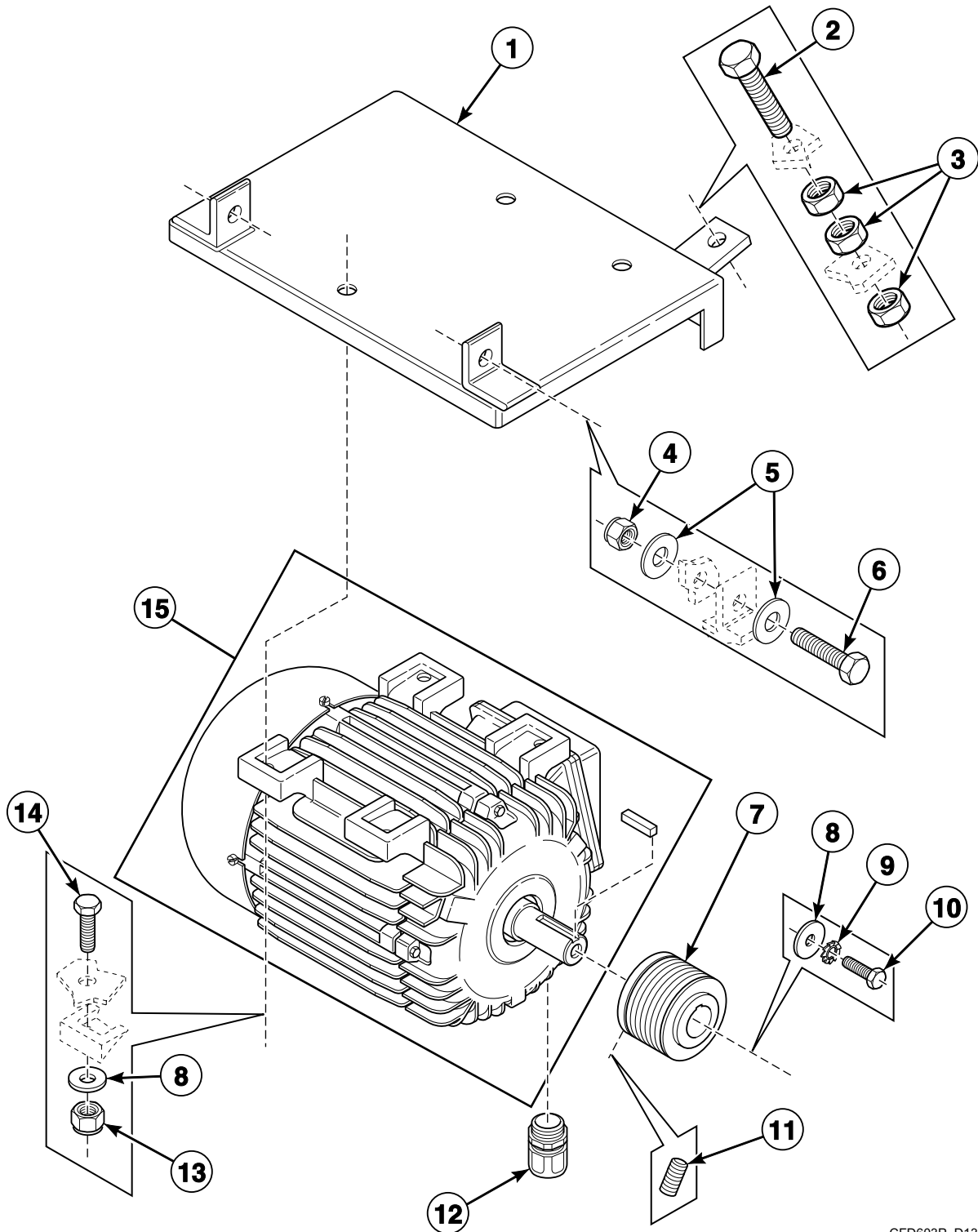


CFD602P\_D1360

## Motor - \*55 and \*235 Models

REF	PART NO.	DESCRIPTION	COMMENTS
	B12382103	Motor Harness	
1	204/00019/00	Nut	
2	B12511601	Threaded Rod	
3	115/10126/00	Motor Plate	
4	185/00086/00	Pulley	
5	226/00149/00	Belt	
6	201/00004/00	Washer	
7	206/00006/00	Bolt	
8	206/00049/00	Screw	
9	211/00183/00	Nut	
10	B12527801	Motor	3 kW; 230 or 400 Volt/50 or 60 Hertz
11	204/00111/00	Nut	
12	206/00003/00	Bolt	
13	206/00072/00	Bolt	
14	201/00002/00	Washer	
15	204/00113/00	Nut	

# Motor - \*75 and \*305 Models

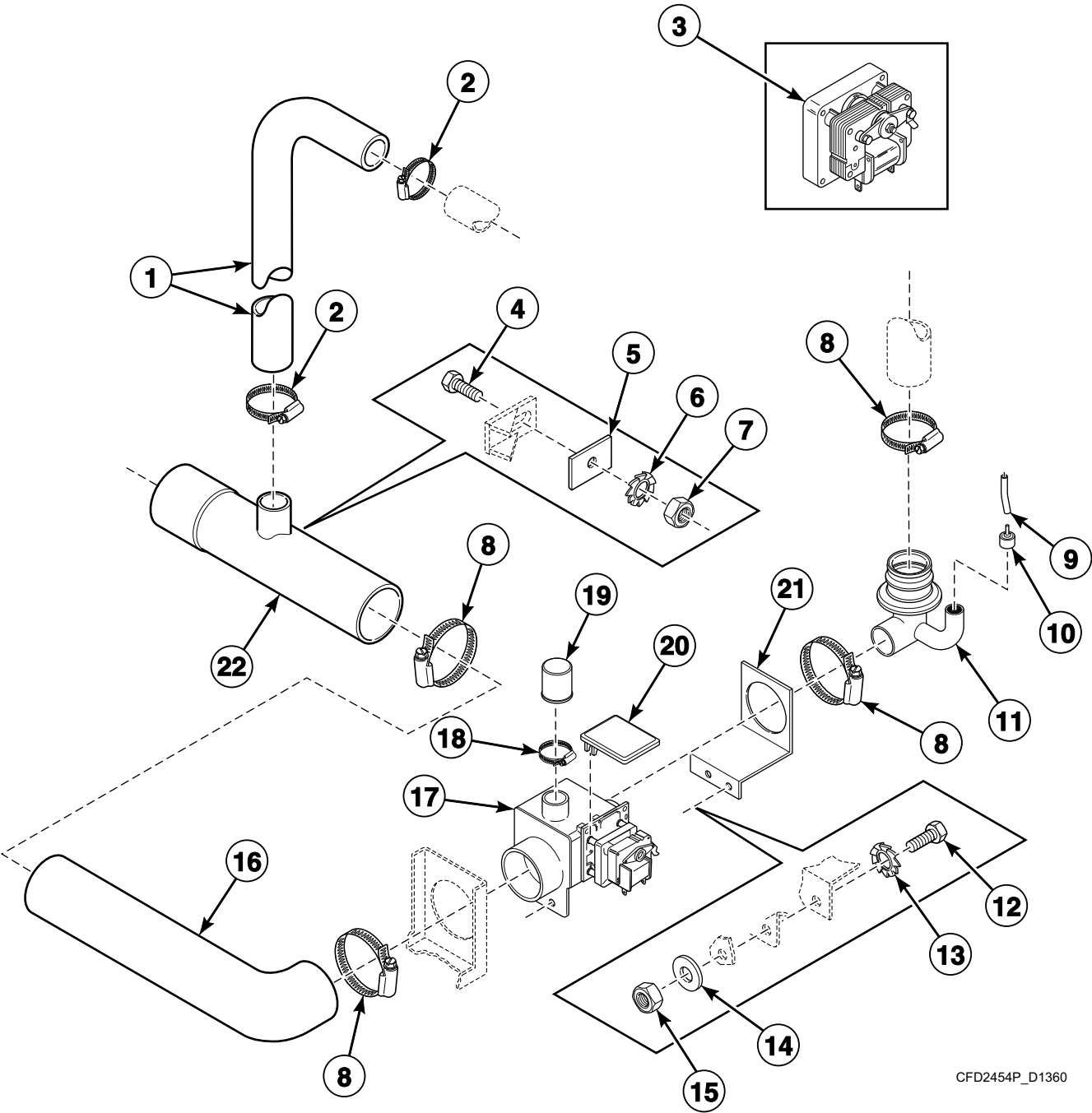


CFD603P\_D1360

## Motor - \*75 and \*305 Models

REF	PART NO.	DESCRIPTION	COMMENTS
	B12382104	Motor Harness	
1	115/10117/00	Motor Plate	
2	206/00047/00	Bolt	
3	204/00012/00	Nut	
4	204/00113/00	Nut	
5	201/00001/00	Washer	
6	206/00072/00	Bolt	
7	206/00152/00	Pulley	
8	201/00004/00	Washer	
9	203/00002/00	Washer	
10	206/00006/00	Bolt	
11	206/00056/00	Screw	
12	211/00183/00	Nut	
13	204/00111/00	Nut	
14	206/00003/00	Bolt	
15	B12510401	Motor	4 kW; 230 or 400 Volt/50 or 60 Hertz

# Drain Assembly - \*55 and \*235 Models



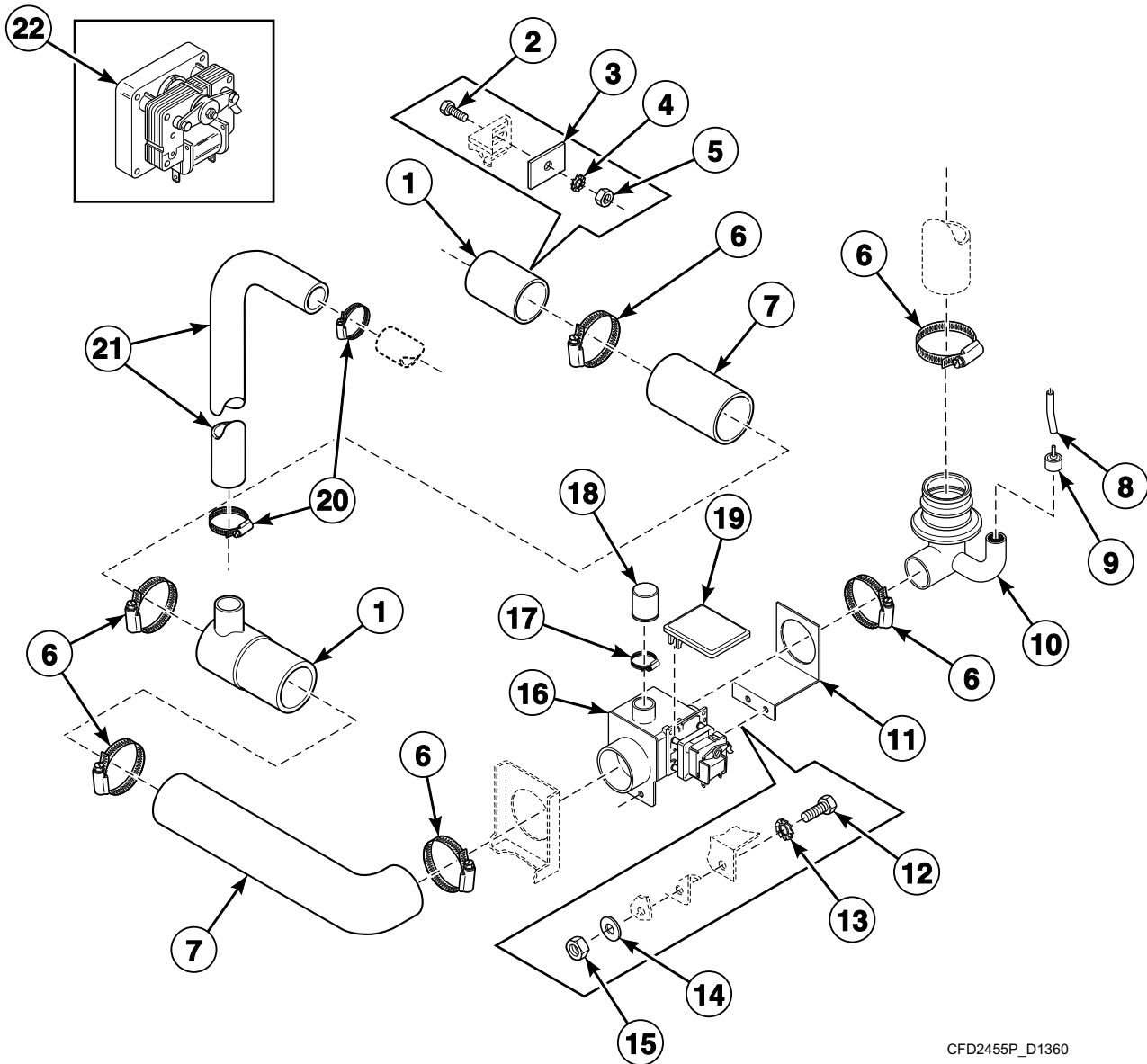
CFD2454P\_D1360



## Drain Assembly - \*55 and \*235 Models

REF	PART NO.	DESCRIPTION	COMMENTS
	B12495801	Drain Valve Fuse Harness	WE-8 models
	B12349401	Drain Valve Harness	
1	223/00131/00	Overflow Hose	
2	223/00013/00	Hose Clamp	
3	209/00051/11	Drain Valve Motor	
4	205/00103/00	Bolt	
5	101/00007/00	Outlet Pipe Plate Assembly	
6	203/00004/00	Washer	
7	204/00106/00	Nut	
8	223/00071/00	Hose Clamp	
9	223/00333/00	Pressure Hose	
10	223/00035/02	Pressure Switch Cap	
11	B12403201	Drain Tub to Drain Valve Hose	
12	206/00009/00	Bolt	
13	203/00003/00	Washer	
14	202/00002/00	Washer	
15	204/00004/00	Nut	
16	223/00328/00	Drain Valve to Drain Tube Hose	
17	209/00075/00	Drain Valve	
18	223/00012/00	Hose Clamp	
19	223/00086/00	Drain Valve Overflow Plug	
20	223/00225/00	Drain Valve Cover	
21	114/00010/00	Drain Valve Plate Assembly	
22	223/00106/00	Drain Pipe	

# Drain Assembly - \*75 and \*305 Models

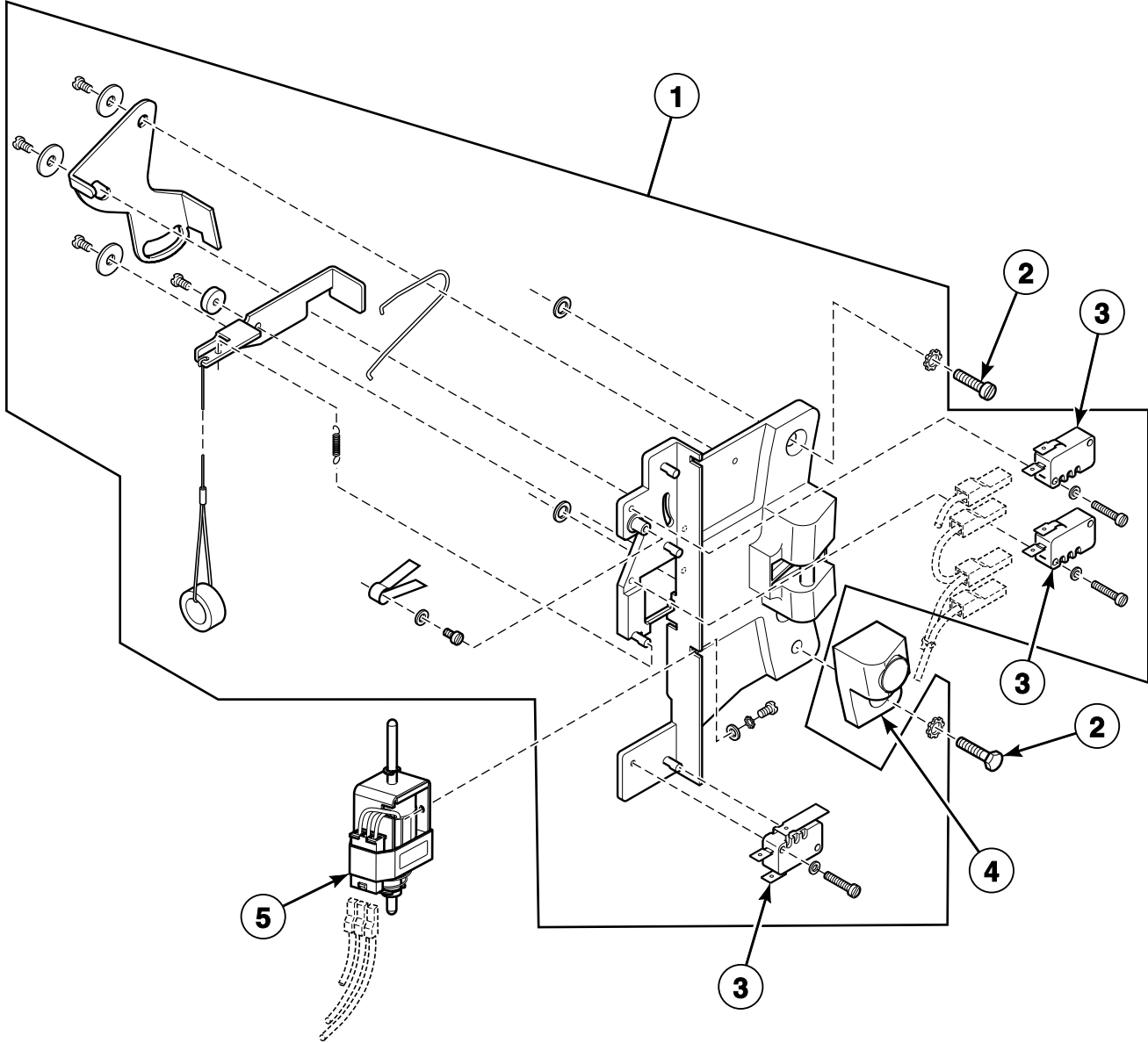


CFD2455P\_D1360

## Drain Assembly - \*75 and \*305 Models

REF	PART NO.	DESCRIPTION	COMMENTS
	B12495801	Drain Valve Fuse Harness	WE-8 models
	B12349401	Drain Valve Harness	
1	223/00106/00	Drain Pipe	
2	205/00103/00	Bolt	
3	101/00007/00	Outlet Pipe Plate Assembly	
4	203/00004/00	Washer	
5	204/00106/00	Nut	
6	223/00071/00	Hose Clamp	
7	223/00328/00	Drain Valve to Drain Tube Hose	
8	223/00333/00	Pressure Hose	
9	223/00035/02	Pressure Switch Cap	
10	B12403201	Drain Tub to Drain Valve Hose	
11	114/00010/00	Drain Valve Plate Assembly	
12	206/00009/00	Bolt	
13	203/00003/00	Washer	
14	202/00002/00	Washer	
15	204/00004/00	Nut	
16	209/00075/00	Drain Valve	
17	223/00012/00	Hose Clamp	
18	223/00086/00	Drain Valve Overflow Plug	
19	223/00225/00	Drain Valve Cover	
20	223/00013/00	Hose Clamp	
21	223/00131/00	Overflow Hose	
22	209/00051/11	Drain Valve Motor	

# Door Lock

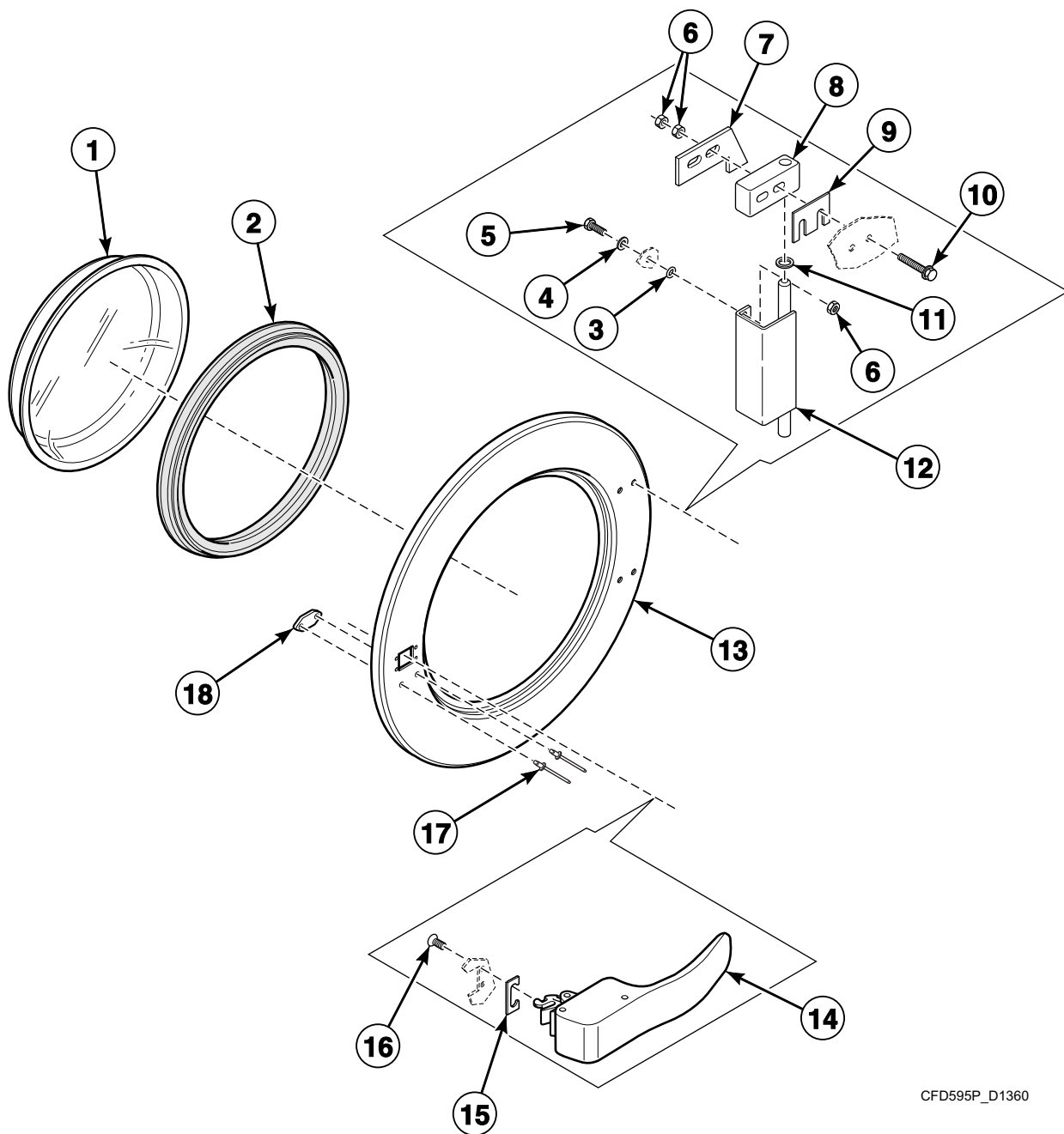


CHM3240P\_D1360

# Door Lock

REF	PART NO.	DESCRIPTION	COMMENTS
	B12495002	Door Lock Harness	WE-8 models
	B12495001	Door Lock Harness	All other models
1	B12517701	Door Lock Assembly	Includes item 4
2	207/00102/00	Screw	
3	209/00273/00	Light Microswitch	
4	B12517601	Reed Switch Holder	Includes F8080405 Reed Switch Harness and B12502001 Reed Switch
5	B12518101	Door Solenoid Assembly	

# Door

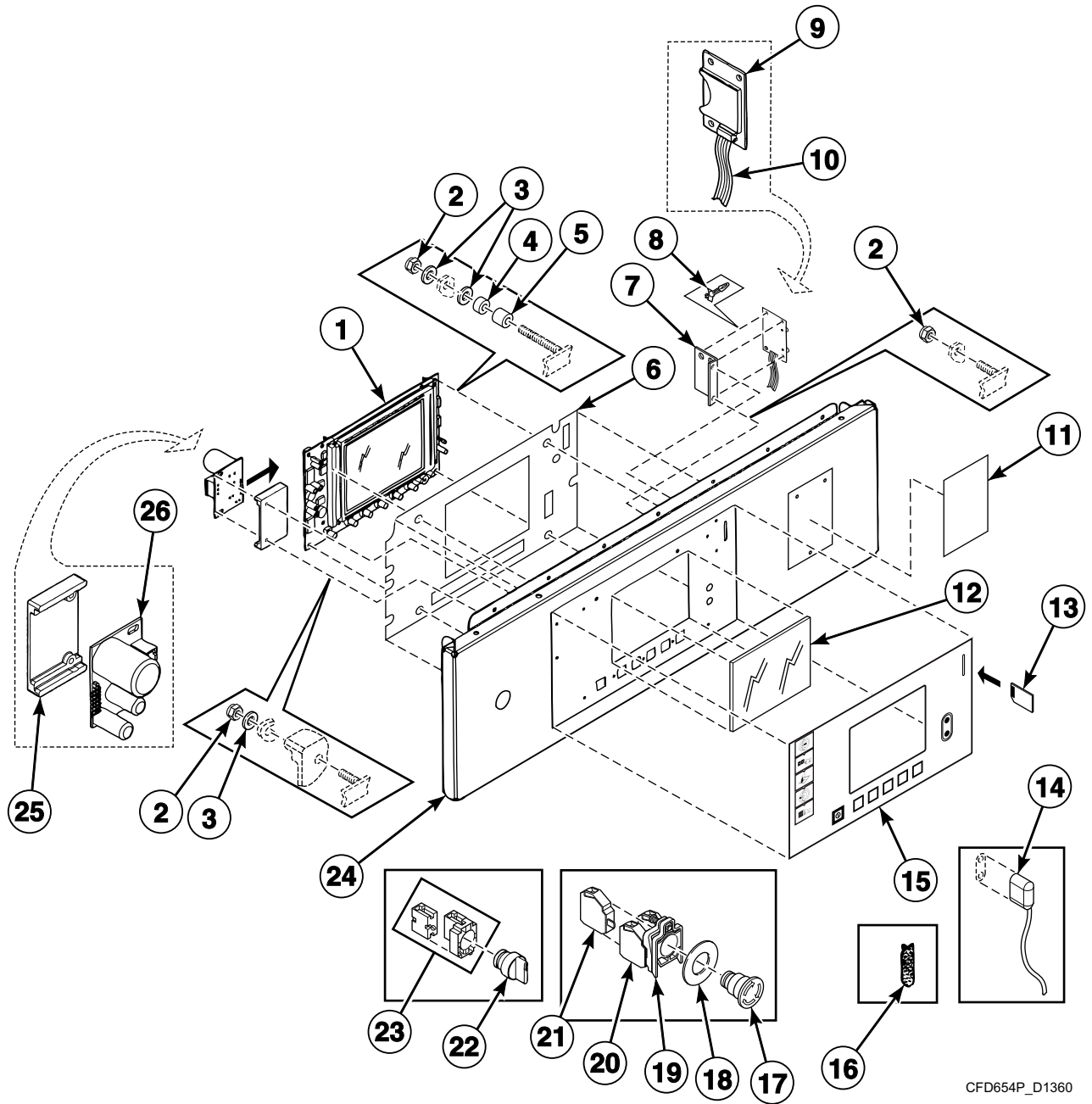


CFD595P\_D1360

# Door

REF	PART NO.	DESCRIPTION	COMMENTS
1	B12449801	Door Glass	
2	223/00068/00	Door Glass Seal	
3	217/00021/00	O-Ring	
4	202/00101/00	Washer	
5	205/00104/00	Bolt	
6	204/00106/00	Nut	
7	118/00126/00	Door Stop	
8	253/00022/00	Door Hinge Block	
9	118/00122/00	Door Hinge Spacer	1.5 mm
	118/00124/00	Door Hinge Spacer	2 mm
10	207/00126/00	Screw	
11	202/00104/00	Washer	
12	221/00004/00	Hinge	Fixed part
13	B12337201	Door Frame	
14	B12336301	Door Handle	Black
	B12336302	Door Handle	Gray
15	217/00016/00	Door Handle Stop	
16	B12500801	Screw	
17	B12500301	Rivet	
18	B12389701	Magnet	

# Control Panel - Cygnus Professional

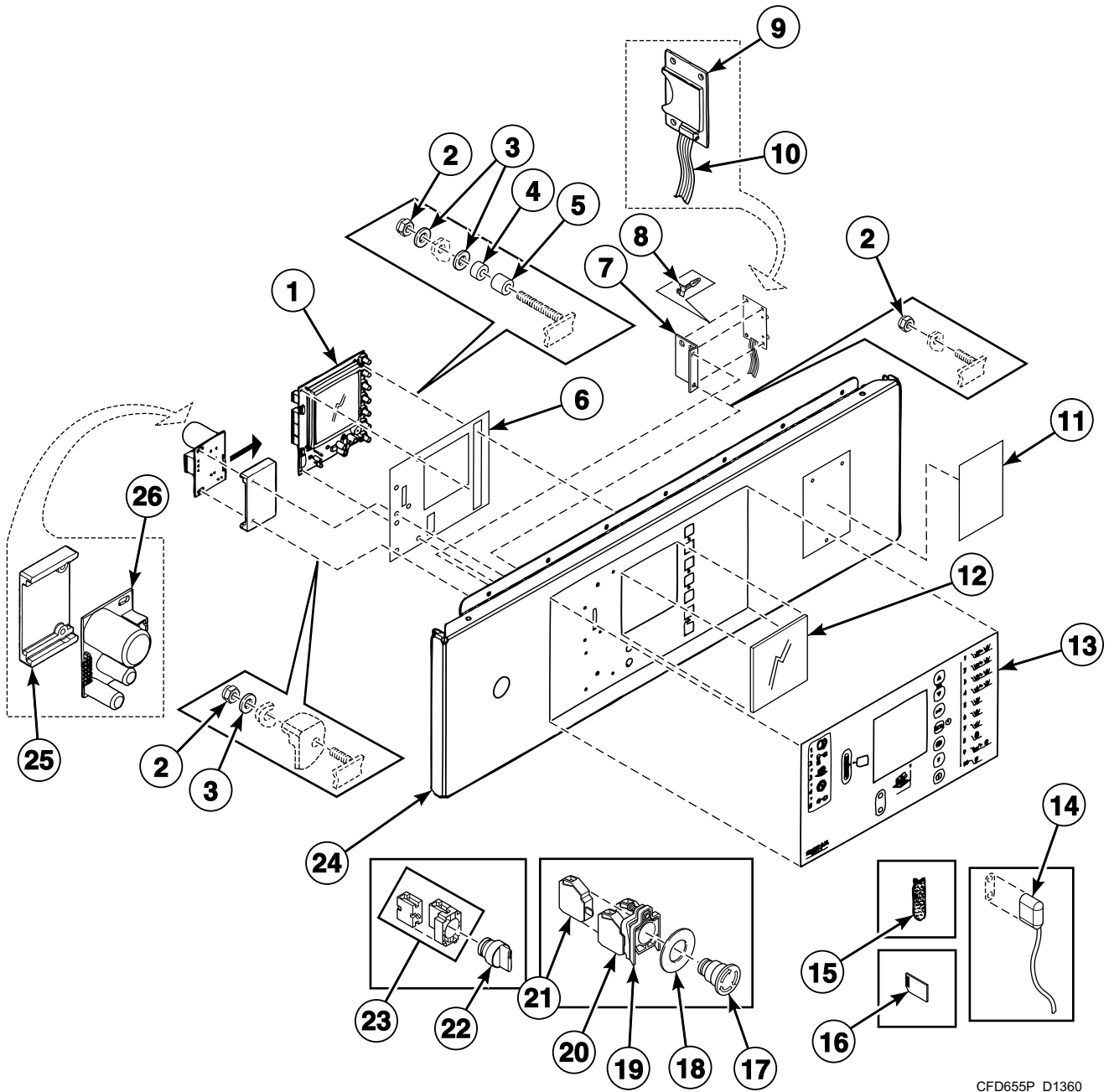




## Control Panel - Cygnus Professional

REF	PART NO.	DESCRIPTION	COMMENTS
	B12348901	E-Stop Harness	
1	209/02002/ZB2	Display PC-Board	
2	204/00116/00	Nut	
3	223/00123/00	Washer	
4	211/00128/00	Printboard Separator	
5	211/00122/00	Standoff	
6	229/00268/00	Insulating Sticker	
7	111/01893/00	Printboard Support Card	Optional
8	211/00145/00	Standoff	
9	B12305201	Memory Card PC-Board	Optional
10	B12538301	Data Card Ribbon Assembly	Optional
11	B12389801	Nameplate	Models HD235_CYGNUS-PRO, HD305_CYGNUS-PRO, IXG235Z, IXG305Z, IXN235Z, IXN305Z, IXU235Z, IXU305Z, IXW235Z, IXW305Z, IXZ235Z and IXZ305Z
	B12389802	Nameplate	Models CXE055Z, CXE075Z, CXG235Z, CXG305Z, CXN235Z, CXN305Z, CXR055Z, CXR075Z, CXU235Z, CXU305Z, CXW235Z, CXW305Z, CXZ235Z and CXZ305Z
	B12530806	Nameplate	Model JXW235Z
	B12530807	Nameplate	Model JXW305Z
12	225/00321/00	Plexi Frame	
13	209/02024/00	Datacard	
14	210/00902/00	Infrared Cable Kit	
15	B12583501	Operating Sticker	
	B12383601	Operating Sticker	Without datacard opening
	B12383701	Operating Sticker	With datacard opening
	B12532001	Operating Sticker	Models JXW235Z and JXW305Z
16	223/00348/00	Datacard Cover	
17	209/00248/20	Mushroom Pushbutton	
18	209/00520/00	Telem Sticker	
19	B12491801	Contact Harness	
20	209/00029/26	Contact Switch	NC
21	209/00099/26	Contact Switch	NO
22	209/00099/29	Switch Knob	Dual heat
	B12523901	Dual Heat Sticker	Dual heat
23	B12491701	Contact Harness	Dual heat
24	B12384101	Operating Panel	
25	223/00374/00	Mounting Plate	
26	B12388201	Door Lock PC-Board	

# Control Panel - Cygnus Premium OPL and Ultra

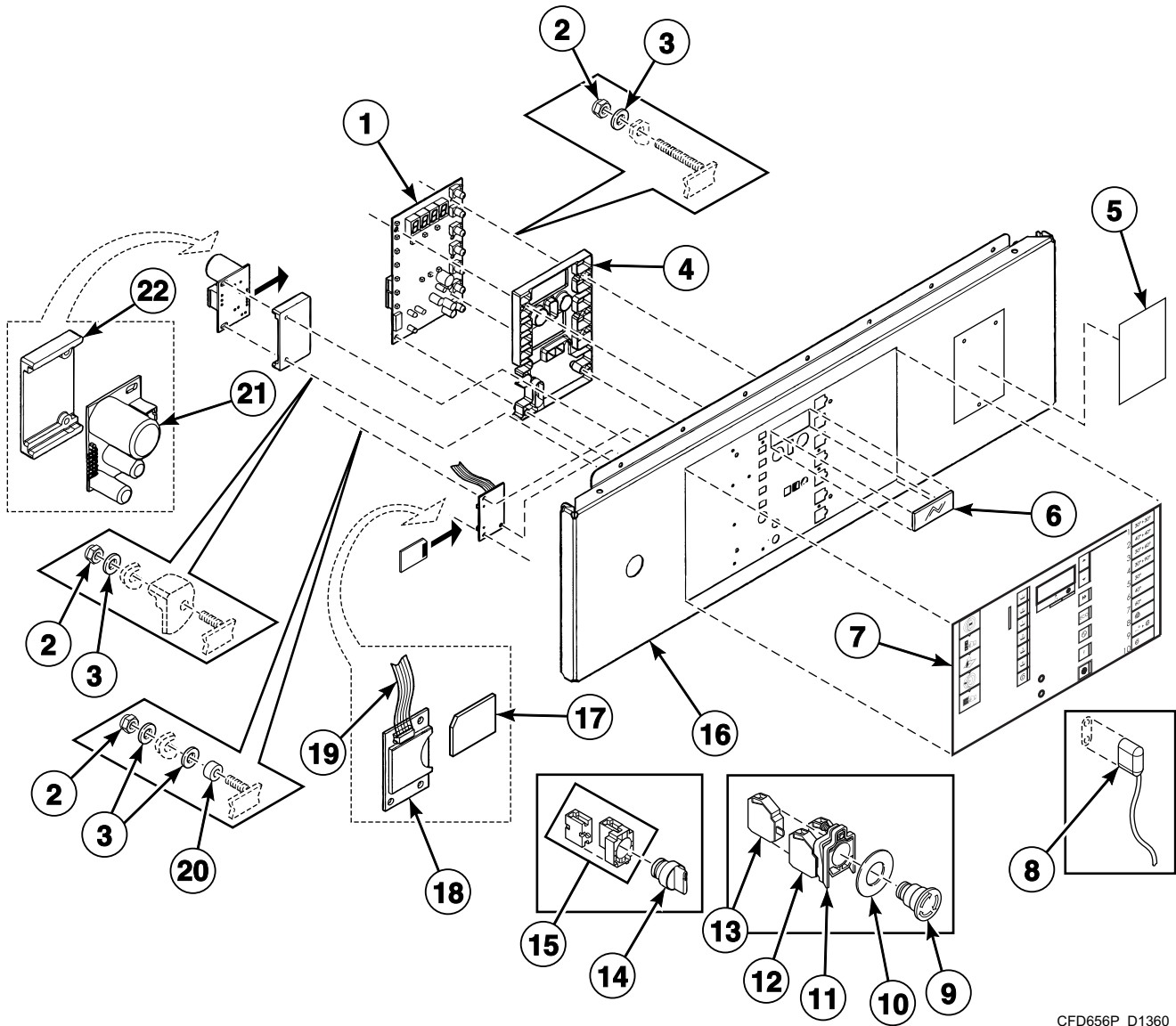


CFD655P\_D1360

## Control Panel - Cygnus Premium OPL and Ultra

REF	PART NO.	DESCRIPTION	COMMENTS
	B12348901	E-Stop Harness	
1	209/02015/02	Printboard	
2	204/00116/00	Nut	
3	223/00123/00	Washer	
4	211/00128/00	Printboard Separator	
5	211/00122/00	Standoff	
6	229/00291/00	Insulating Sticker	
7	111/01893/00	Printboard Support Card	Optional
8	211/00145/00	Standoff	
9	B12305201	Memory Card PC-Board	Optional
10	B12538301	Data Card Ribbon Assembly	Optional
11	B12389801	Nameplate	Models HD235_CYGNUS-PREM, HD305_CYGNUS-PREM, IS055_CYGNUS-ULTRA, IS075_CYGNUS-ULTRA, IXG235Y, IXG305Y, IXN235U, IXN235Y, IXN305U, IXN305Y, IXR055U, IXR075U, IXU235Y, IXU305Y, IXW235Y, IXW305Y, IXZ235Y and IXZ305Y
	B12389802	Nameplate	Models CS055_CYGNUS-ULTRA, CS075_CYGNUS-ULTRA, CXN235U, CXN305U, CXR055U and CXR075U
	B12389806	Nameplate	Model JXW235Y
	B12530807	Nameplate	Model JXW305Y
12	225/00323/00	Plexi Frame	
13	B12456701	Operating Sticker	Cygnus Ultra models
	B12383401	Operating Sticker	Cygnus Premium OPL models with datacard opening
	B12383301	Operating Sticker	Cygnus Premium OPL models without datacard opening
	B12531901	Operating Sticker	Models JXW235Y and JXW305Y; Non-ozone
	B12534801	Operating Sticker	Models JXW235Y and JXW305Y; Ozone
14	210/00902/00	Infrared Cable Kit	
15	223/00348/00	Datacard Cover	Cygnus Premium OPL models
16	209/02024/00	Datacard	Cygnus Premium OPL models
17	209/00248/20	Mushroom Pushbutton	
18	209/00520/00	Telem Sticker	
19	B12491801	Contact Harness	
20	209/00029/26	Contact Switch	NC
21	209/00099/26	Contact Switch	NO
22	209/00099/29	Switch Knob	Dual heat
	B12523901	Dual Heat Sticker	Dual heat
23	B12491701	Contact Harness	Dual heat
24	B12384201	Operating Panel	
25	223/00374/00	Mounting Plate	
26	B12388201	Door Lock PC-Board	

# Control Panel - Cygnus Standard/Commercial OPL

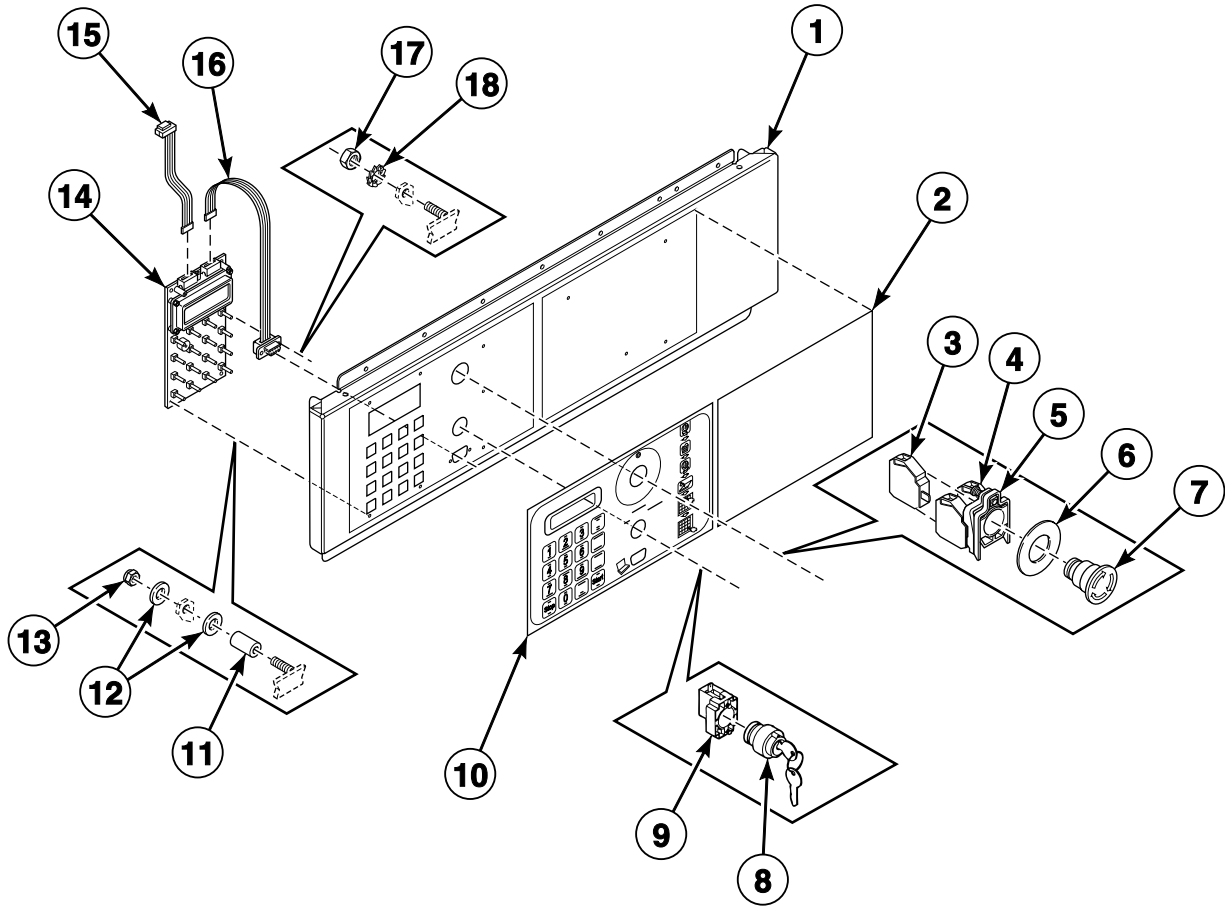


CFD656P\_D1360

## Control Panel - Cygnus Standard/Commercial OPL

REF	PART NO.	DESCRIPTION	COMMENTS
	B12348901	E-Stop Harness	
1	209/02001/02	Printboard	
2	204/00116/00	Nut	
3	223/00123/00	Washer	
4	223/00330/00	Protection LED	
5	B12389801	Nameplate	Models HD235_CYGNUS-COMM, HD235_CYGNUS-STANDARD, HD305_CYGNUS-COMM, HD305_CYGNUS-STANDARD, IXG235C, IXG235X, IXG305C, IXG305X, IXN235C, IXN235X, IXN305C, IXN305X, IXU235C, IXU235X, IXU305C, IXU305X, IXW235C, IXW235X, IXW305C, IXW305X, IXZ235C, IXZ235X, IXZ305C and IXZ305X
	B12389802	Nameplate	Models CXE055X, CXE075X, CXG235X, CXG305X, CXN305X, CXR055X, CXR075X, CXU235X, CXU305X, CXW235X, CXW305X, CXZ235X and CXZ305X
	B12389803	Nameplate	Models DXU235X and DXU305X
	B12389806	Nameplate	Model JXW235X
	B12530807	Nameplate	Model JXW305X
	B12389810	Nameplate	Models WXU235C and WXU305C
6	225/00322/00	Plexi Frame	
7	B12382701	Operating Sticker	Cygnus Standard OPL models without datacard opening
	B12382801	Operating Sticker	Cygnus Standard OPL models with datacard opening
	B12383001	Operating Sticker	Cygnus Commercial OPL models without datacard opening
	B12383101	Operating Sticker	Cygnus Commercial OPL models with datacard opening
	B12531801	Operating Sticker	Models JXW235X and JXW305X
8	210/00902/00	Infrared Cable Kit	
9	209/00248/20	Mushroom Pushbutton	
10	209/00520/00	Telem Sticker	
11	B12491801	Contact Harness	
12	209/00029/26	Contact Switch	NC
13	209/00099/26	Contact Switch	NO
14	209/00099/29	Switch Knob	Dual heat
	B12523901	Dual Heat Sticker	Dual heat
15	B12491701	Contact Harness	Dual heat
16	B12385601	Operating Panel	
17	209/02024/00	Datacard	Optional
18	B12305201	Memory Card PC-Board	Optional
19	B12538301	Data Card Ribbon Assembly	Optional
20	211/00128/00	Printboard Separator	
21	B12388201	Door Lock PC-Board	
22	223/00374/00	Mounting Plate	

# Control Panel - WE-8

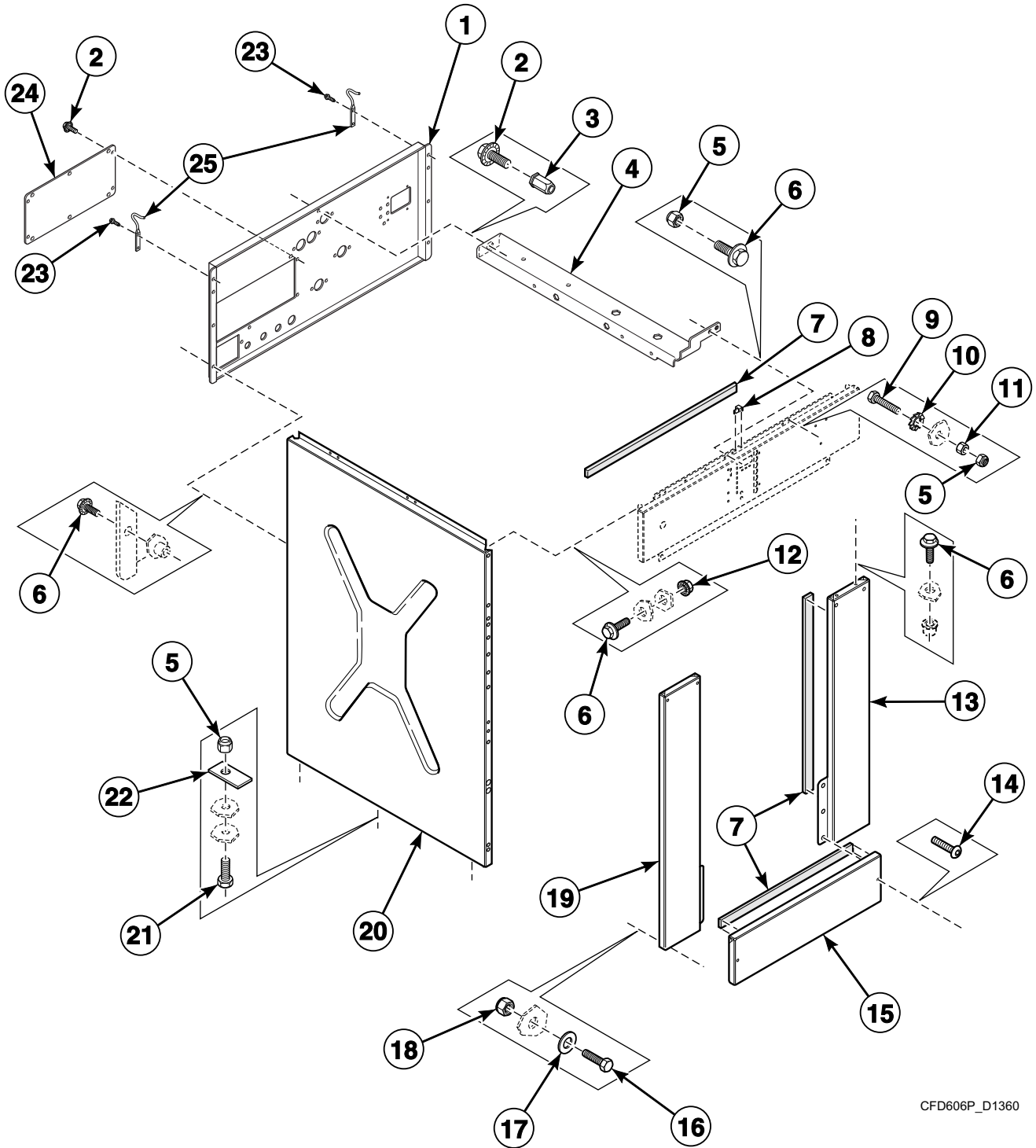


CFD657P\_D1360

## Control Panel - WE-8

REF	PART NO.	DESCRIPTION	COMMENTS
	B12348902	E-Stop Harness	
	B12348903	E-Stop Drive Harness	
	B12495501	Key Switch Harness	
	B12388302	Ribbon Assembly	
1	B12436401	Operating Panel	*55 and *235 models
	B12436501	Operating Panel	*75 and *305 models
2	F8435601	Overlay	UX models
	225/00435/00	Overlay	SX models
	225/00436/00	Logo Decal	HX models
3	209/00099/26	Contact Switch	NO
4	209/00029/26	Contact Switch	NC
5	B12491801	Contact Harness	
6	209/00520/00	Telem Sticker	
7	209/00248/00	Mushroom Pushbutton	
8	209/00326/20	Programming Key Contact Switch	
9	B12491701	Contact Harness	
10	225/00388/00	Overlay	Control
11	211/00140/00	Spacer	
12	223/00123/00	Washer	
13	204/00116/00	Nut	
14	209/00580/03	Display	
15	B12388302	Ribbon Assembly	
16	B12388305	Ribbon Assembly	
17	204/00008/00	Nut	
18	203/00007/00	Washer	

# Left Side, Lower Front and Upper Rear Panels - \*55 and \*235 Models



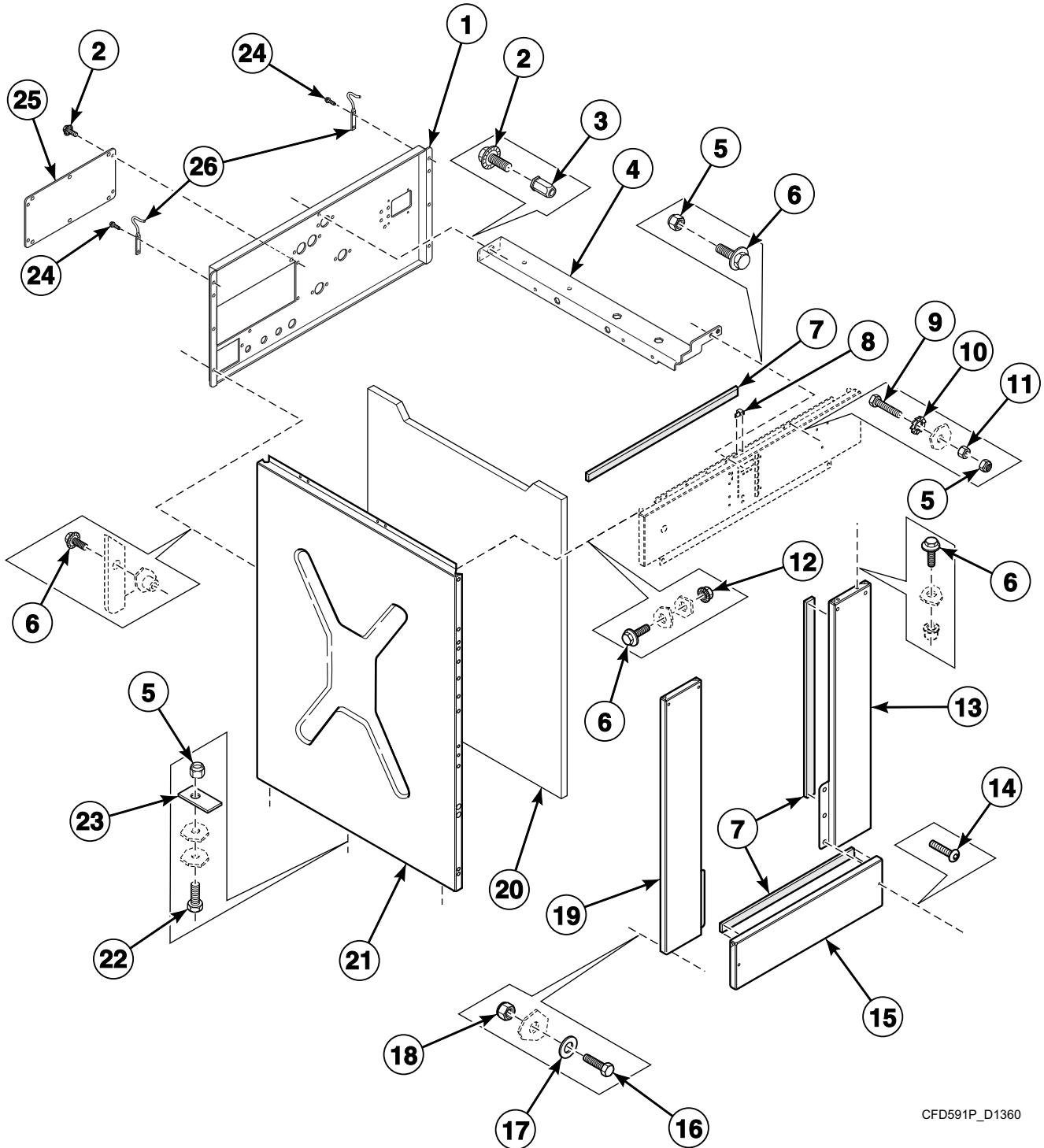
CFD606P\_D1360



## Left Side, Lower Front and Upper Rear Panels - \*55 and \*235 Models

REF	PART NO.	DESCRIPTION	COMMENTS
1	B12354601	Backbridge	
2	206/00104/00	Screw	
3	204/00011/00	Nut	
4	B12354901	Supply Dispenser Crossbar	
5	204/00009/00	Nut	
6	205/00105/00	Bolt	
7	246/00149/00	Gasket	
8	F8201001	Top Cover Latch	
9	205/00103/00	Bolt	
10	203/00004/00	Washer	
11	204/00106/00	Nut	
12	206/00101/00	Nut	
13	111/32957/50	Right Front Panel	
14	B12500601	Screw	
15	111/32943/00	Kickplate	
16	206/00042/00	Bolt	
17	201/00010/00	Washer	
18	204/00109/00	Nut	
19	111/32951/50	Left Front Panel	
20	140/00007/00	Side Panel	
21	205/00105/00	Bolt	
22	101/00007/00	Outlet Pipe Plate Assembly	
23	B12462901	Screw	
24	B12312501	Main Switch Cover	
25	B12487401	Top Cover Hinge	

# Left Side, Lower Front and Upper Rear Panels - \*75 and \*305 Models

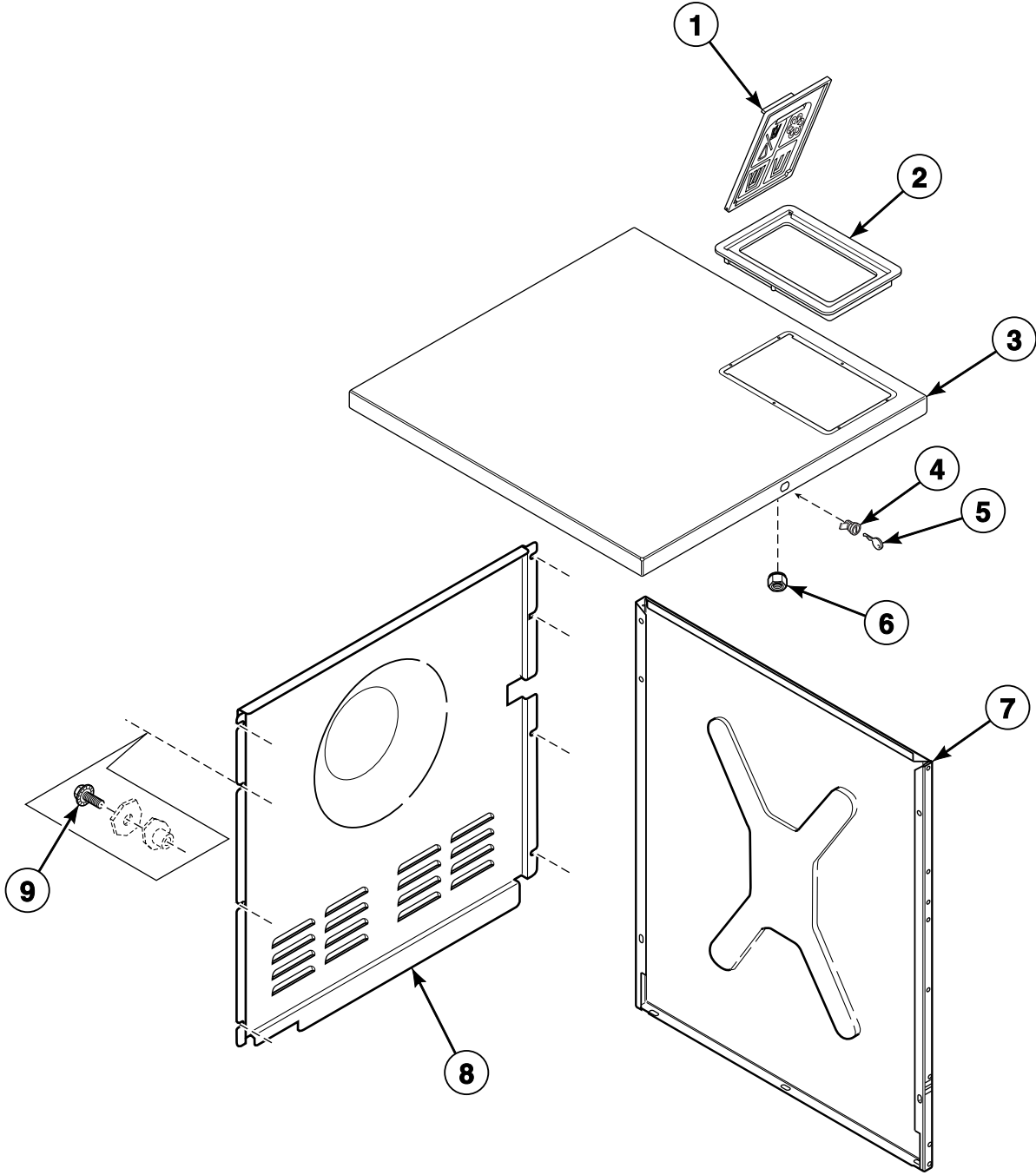


CFD591P\_D1360

## Left Side, Lower Front and Upper Rear Panels - \*75 and \*305 Models

REF	PART NO.	DESCRIPTION	COMMENTS
1	B12339701	Backbridge	
2	206/00104/00	Screw	
3	204/00011/00	Nut	
4	B12338101	Supply Dispenser Crossbar	
5	204/00009/00	Nut	
6	205/00105/00	Bolt	
7	246/00149/00	Gasket	
8	F8201001	Top Cover Latch	
9	205/00103/00	Bolt	
10	203/00004/00	Washer	
11	204/00106/00	Nut	
12	206/00101/00	Nut	
13	111/32957/50	Right Front Panel	
14	B12500601	Screw	
15	111/32943/00	Kickplate	
16	206/00042/00	Bolt	
17	201/00010/00	Washer	
18	204/00109/00	Nut	
19	111/32951/50	Left Front Panel	
20	246/00079/00	Side Panel Gasket	
21	133/00126/00	Side Panel	
22	205/00105/00	Bolt	
23	101/00007/00	Outlet Pipe Plate Assembly	
24	B12462901	Screw	
25	B12312501	Main Switch Cover	
26	B12487401	Top Cover Hinge	

# Top, Right Side and Lower Back Panels - \*55 and \*235 Models

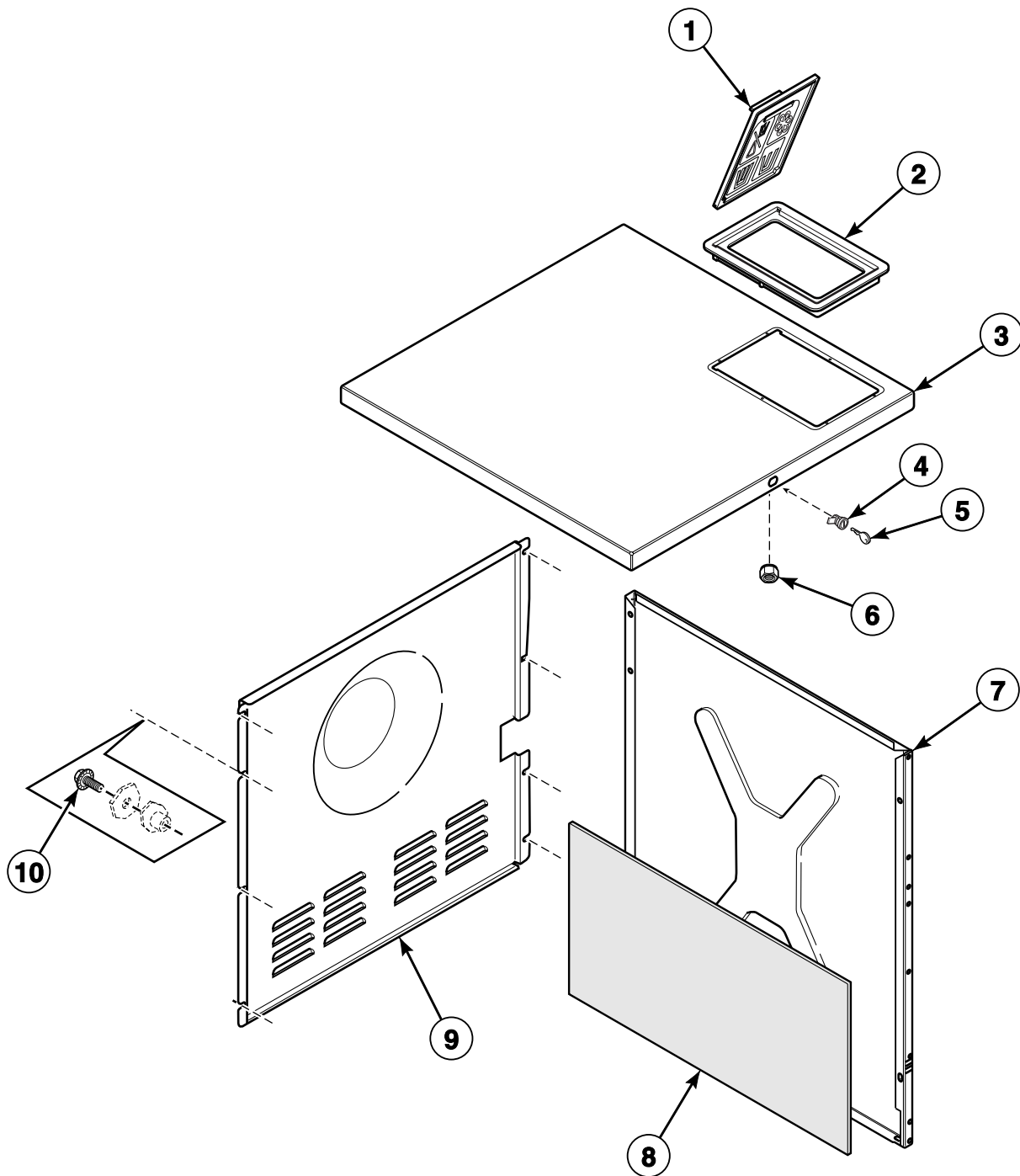


CFD590P\_D1360

## Top, Right Side and Lower Back Panels - \*55 and \*235 Models

REF	PART NO.	DESCRIPTION	COMMENTS
1	B12319101	Supply Dispenser Cover	U.S.
	B12356701	Supply Dispenser Cover	International
2	B12319201	Supply Dispenser Cover Frame	
3	B12354801	Top Panel	
4	44089303	Panel Lock	Includes item 5
5	70155603	Key	
6	B12509101	Nut	
7	140/00007/00	Side Panel	
8	B12354701	Lower Rear Panel	
9	206/00104/00	Screw	

# Top, Right Side and Lower Back Panels - \*75 and \*305 Models

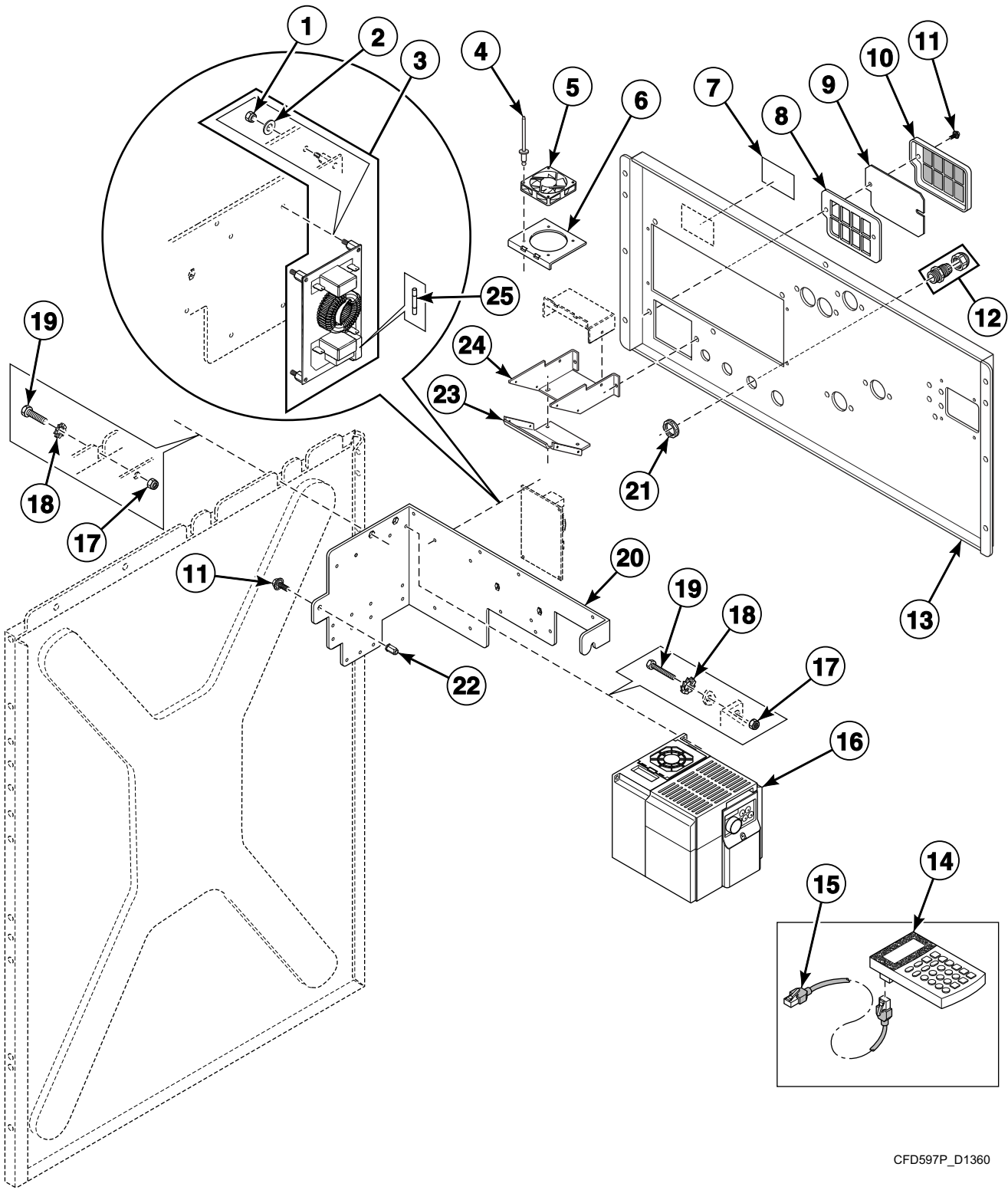


CFD592P\_D1360

## Top, Right Side and Lower Back Panels - \*75 and \*305 Models

REF	PART NO.	DESCRIPTION	COMMENTS
1	B12319101	Supply Dispenser Cover	U.S.
	B12356701	Supply Dispenser Cover	International
2	B12319201	Supply Dispenser Cover Frame	
3	B12339901	Top Panel	
4	44089303	Panel Lock	Includes item 5
5	70155603	Key	
6	B12509101	Nut	
7	133/00126/00	Side Panel	
8	246/00079/00	Side Panel Gasket	
9	B12339801	Lower Rear Panel	
10	206/00104/00	Screw	

# Inverter Drive



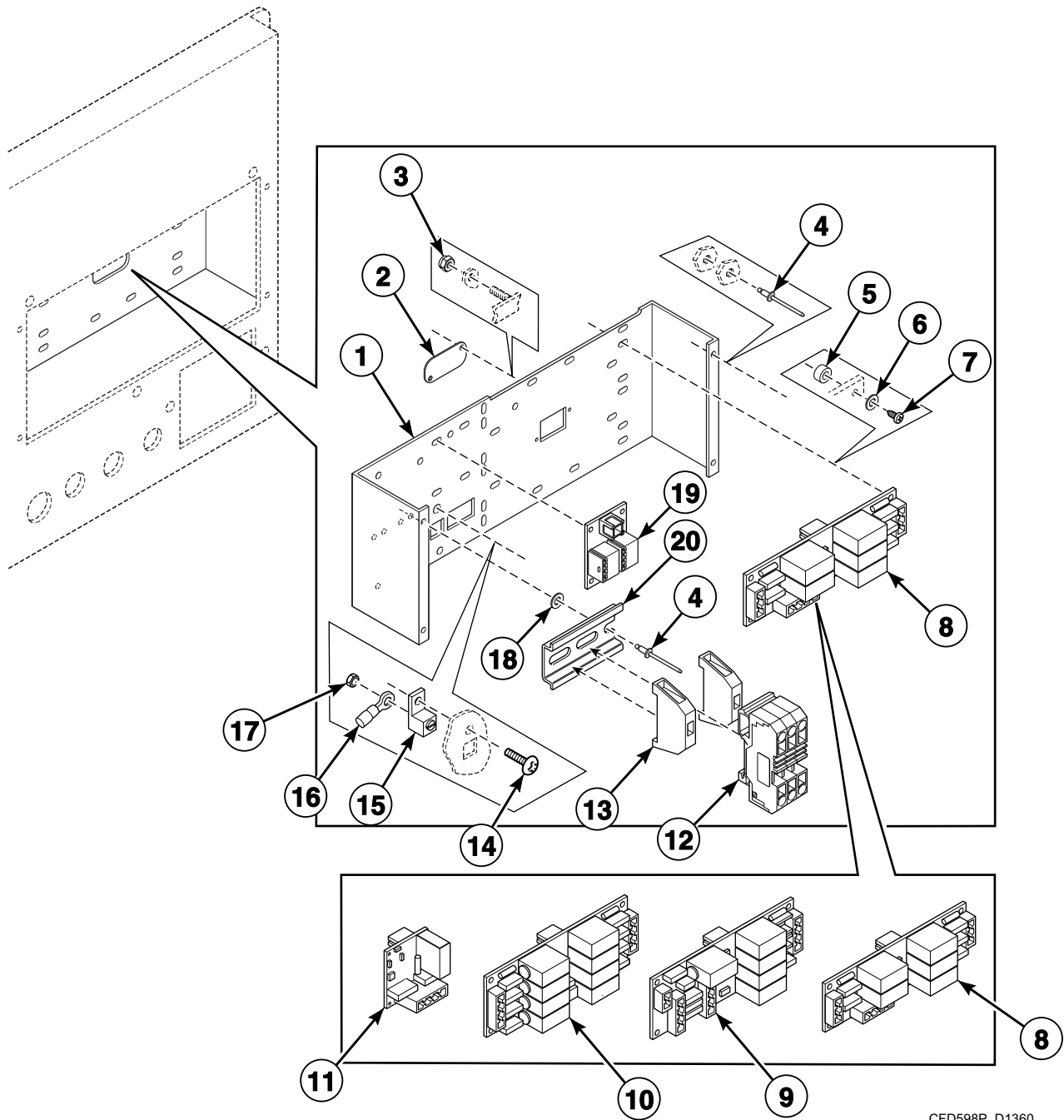
CFD597P\_D1360



# Inverter Drive

REF	PART NO.	DESCRIPTION	COMMENTS
	B12348201	Control Supply Harness	WE-8 *75 and *305 models; N, P and Q-voltage
	B12348401	Control Supply Harness	WE-8 *75 and *305 models; C-voltage
	B12501502	E-Stop Drive Fan Harness	WE-8 models
	B12501501	E-Stop Drive Fan Harness	Cygnus models
	B12495601	Drive Source Harness	WE-8 models except *75 and *305 with Q-voltage
	B12495602	Drive Source Harness	WE-8 *55 and *235 models; Q-voltage
	B12350101	Ethernet Cable	Cygnus models
1	204/00014/00	Nut	
2	202/00004/00	Washer	
3	B12339401	Noise Filter	30A1; 1x230 Volt; *55 and *235 models; C, Q and X-voltage
	227/00242/00	Noise Filter	8A3; 3x400 Volt; *55 and *235 models; N and P-voltage
	227/00163/00	Noise Filter	27A3; 3x230 Volt; *75 and *305 models; Q-voltage
	227/00162/00	Noise Filter	15A3; 3x230 Volt; *75 and *305 models; C, N and P-voltage
4	208/00017/00	Rivet	
5	209/00465/00	Fan	
6	B12357201	Fan Mounting Plate	
7	B12355001	Voltage Discharge Decal	
8	B12372401	Inverter Air Inlet Filter Frame	Inside
9	B12382401	Inverter Air Inlet Filter Grill	
10	B12346701	Inverter Air Inlet Filter Frame	Outside
11	206/00104/00	Screw	
12	211/00183/00	Nut	
13	B12339701	Backbridge	*75 and *305 models
	B12354601	Backbridge	*55 and *235 models
14	227/00171/00	Parameter Unit Assembly	Hand held
15	227/00171/10	Parameter Unit Program Cable	
16	F8420919	Inverter Drive	700 series; 1x230 Volt; WE-8 *55 and *235 models; C, Q and X-voltage
	F8420920	Inverter Drive	700 series; 3x400 Volt; WE-8 *55 and *235 models; N and P-voltage
	F8420921	Inverter Drive	700 series; 1x230 Volt; WE-8 *75 and *305 models; C, Q and X-voltage
	F8420922	Inverter Drive	700 series; 3x400 Volt; WE-8 *75 and *305 models; N and P-voltage
	227/00230/00	Inverter	700 series; 1x230 Volt; *55 and *235 Cygnus models; C, Q and X-voltage
	227/00238/00	Inverter	700 series; 3x400 Volt; *55 and *235 Cygnus models; N and P-voltage
	227/00224/00	Inverter	700 series; 3x230 Volt; *75 and *305 Cygnus models; Q-voltage
	227/00231/00	Inverter	700 series; 3x400 Volt; *75 and *305 Cygnus models; C, N and P-voltage
17	204/00114/00	Nut	
18	203/00006/00	Washer	
19	206/00088/00	Bolt	
20	B12333201	Inverter Drive Box	*55 and *235 models
	B12357401	Inverter Drive Box	*75 and *305 models
	B12396101	Inverter Mounting Plate	*75 and *305 models
21	211/00170/00	Nut	
22	204/00011/00	Nut	
23	B12342701	Air Inlet Bottom	
24	B12342501	Air Inlet	
25	B12389501	Fuse	3.15 A; 500 Volt; Used with 227/00242/00 Filter; *55 and *235 models; N and P-voltage
	209/00468/00	Fuse	3.15 A; Used with B12339401 Noise Filter; *55 and *235 models; C, Q and X-voltage

# Printboard Support Panel and Soap Injection Printboards - Cygnus Models

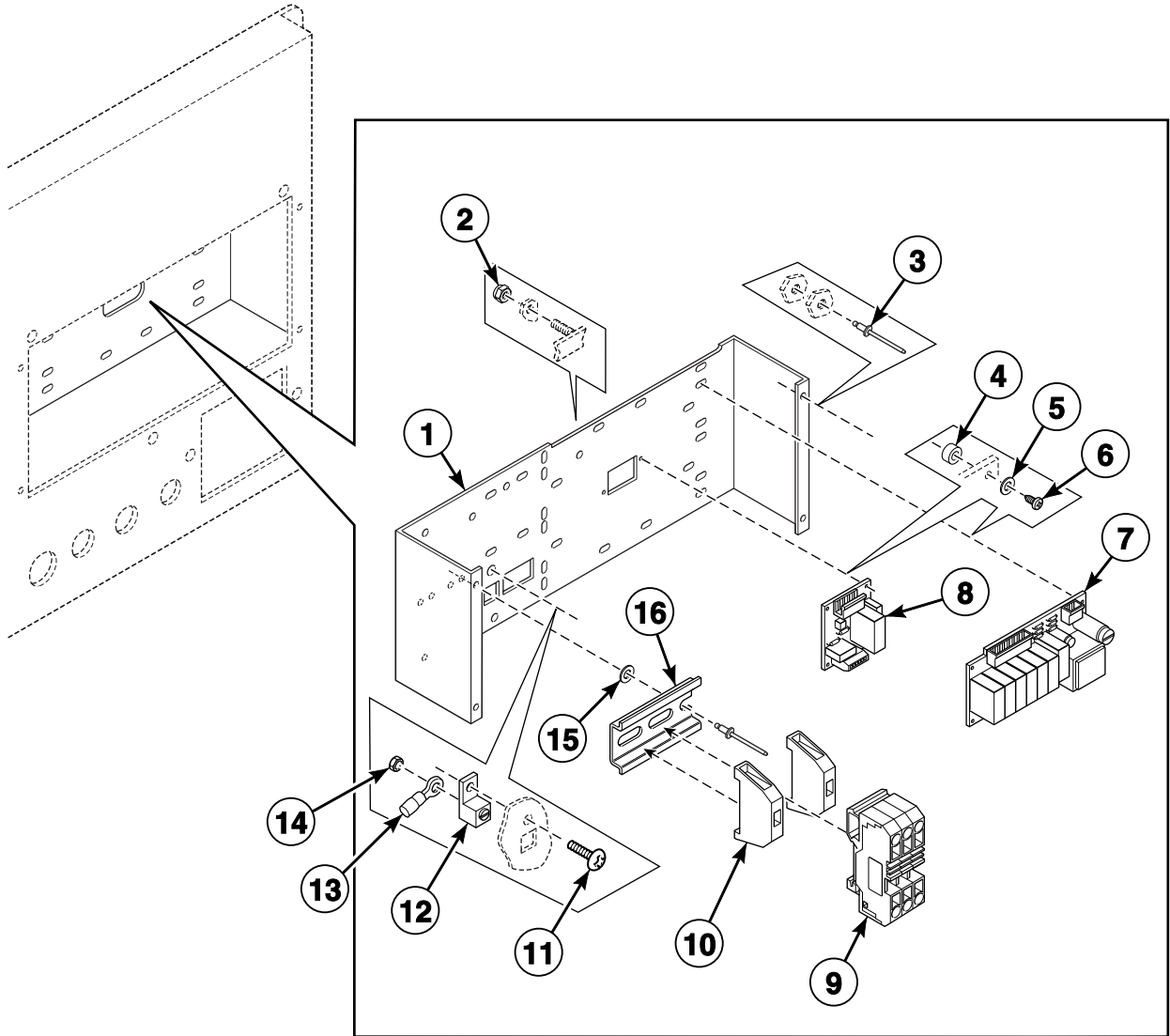


CFD598P\_D1360

## Printboard Support Panel and Soap Injection Printboards - Cygnus Models

REF	PART NO.	DESCRIPTION	COMMENTS
	B12388301	Ribbon Assembly	Used with items 8-11
	B12529201	Extension Board Kit	Used with items 8-11; includes items 2-7, 18, B12381402 Control Supply Harness, B12388301 Ribbon Assembly, 201616 Transformer, 70030501 Expansion Clip, B12462901 Screw and B12319608 Diagram; Does not include extension board
	B12529301	Network Kit	Includes items 3, 5-7, 19, 211/00128/00 Printboard Separator, B12341801 Printboard and B12390201 Network Connection Wiring
<b>1</b>	B12312401	Printboard Support	
<b>2</b>	B12382501	Flat Cable Plate	
<b>3</b>	204/00116/00	Nut	
<b>4</b>	208/00017/00	Rivet	
<b>5</b>	B12390301	Standoff	
<b>6</b>	223/00123/00	Washer	
<b>7</b>	B12393801	Screw	
<b>8</b>	209/02005/00	Detergent PC-Board	1-5
<b>9</b>	209/02014/00	Relay PC-Board	5-5
<b>10</b>	209/02008/00	Detergent PC-Board	1-8
<b>11</b>	209/02016/00	Relay PC-Board	1-1
<b>12</b>	209/01625/00	Terminal Block	Gray; 3 on C, N, P and Q-voltage; 1 on X-voltage
	209/01624/00	Terminal Block	Blue; 1 on C and X-voltage
	209/01625/01	Terminal End	
<b>13</b>	209/00633/02	End Stop	
<b>14</b>	206/00104/00	Screw	
<b>15</b>	M411283	Ground Lug Connector	
<b>16</b>	B12456001	Wiring Earth for Inverter	
<b>17</b>	206/00101/00	Nut	
<b>18</b>	202/00004/00	Washer	
<b>19</b>	B12344201	Network Board	Network models
<b>20</b>	B12315401	DIN Rail	60 mm

# Printboard Support Panel and Soap Injection Printboards - WE-8 Models

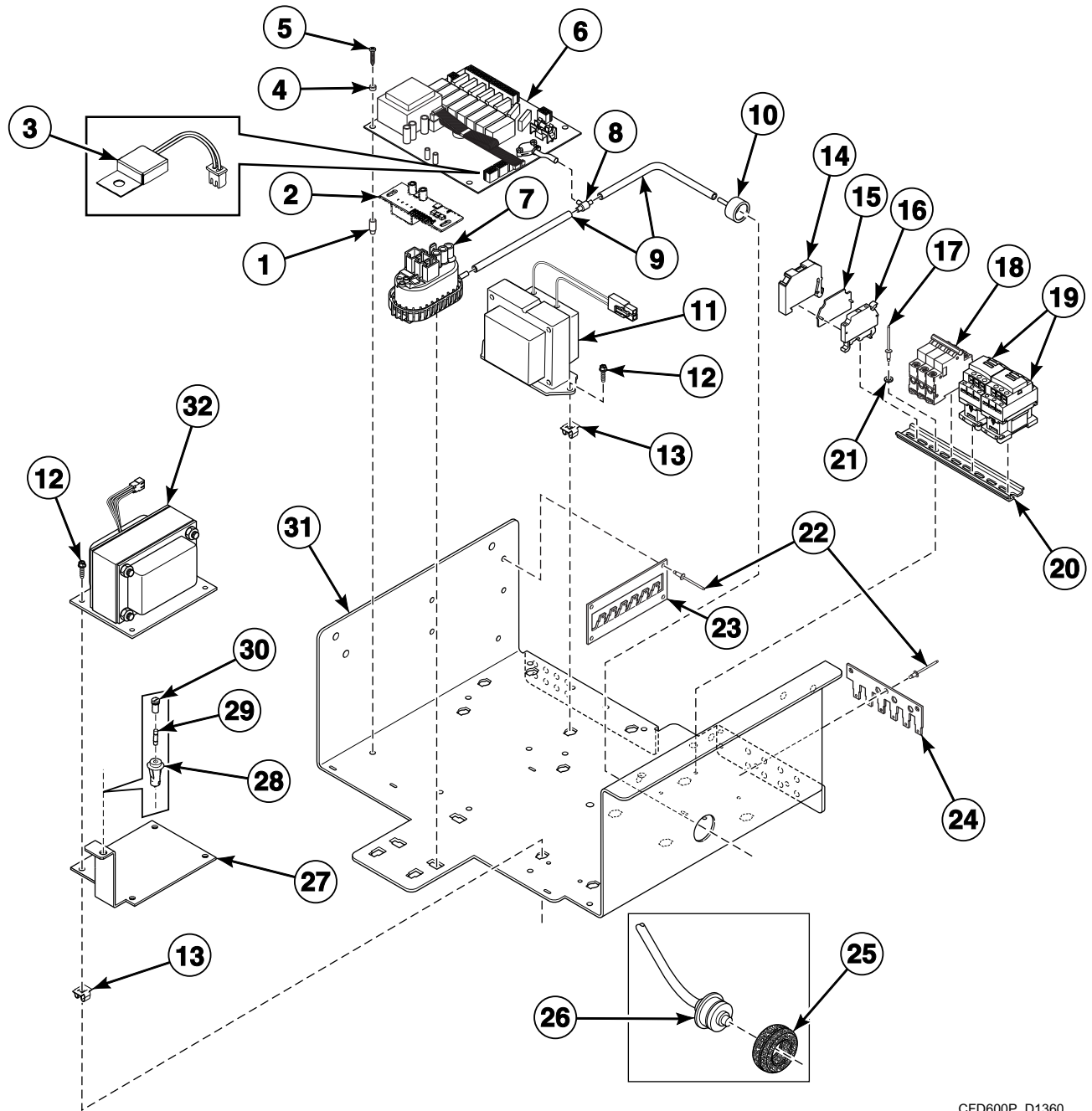


CFD2453P\_D1360

## Printboard Support Panel and Soap Injection Printboards - WE-8 Models

REF	PART NO.	DESCRIPTION	COMMENTS
	B12495702	Soap Board Harness	
1	B12312401	Printboard Support	
2	204/00116/00	Nut	
3	208/00017/00	Rivet	
4	B1239031	Spacer	
5	223/00123/00	Washer	
6	B12393801	Screw	
7	209/00218/13	Soap Injection PCB with Fuse	
8	209/00438/50	Central Control Board	240 Volt
9	209/01625/00	Terminal Block	Gray; 3 on C, N, P and Q-voltage; 1 on X-voltage
	209/01624/00	Terminal Block	Blue; 1 on C and X-voltage
	209/01625/01	Terminal End	
10	209/00633/02	End Stop	
11	206/00104/00	Screw	
12	M411283	Ground Lug Connector	
13	B12456002	Wiring Earth for Tub	
14	206/00101/00	Nut	
15	202/00004/00	Washer	
16	B12315401	DIN Rail	60 mm

# Electrical Component Mounting Plate - Cygnus Models

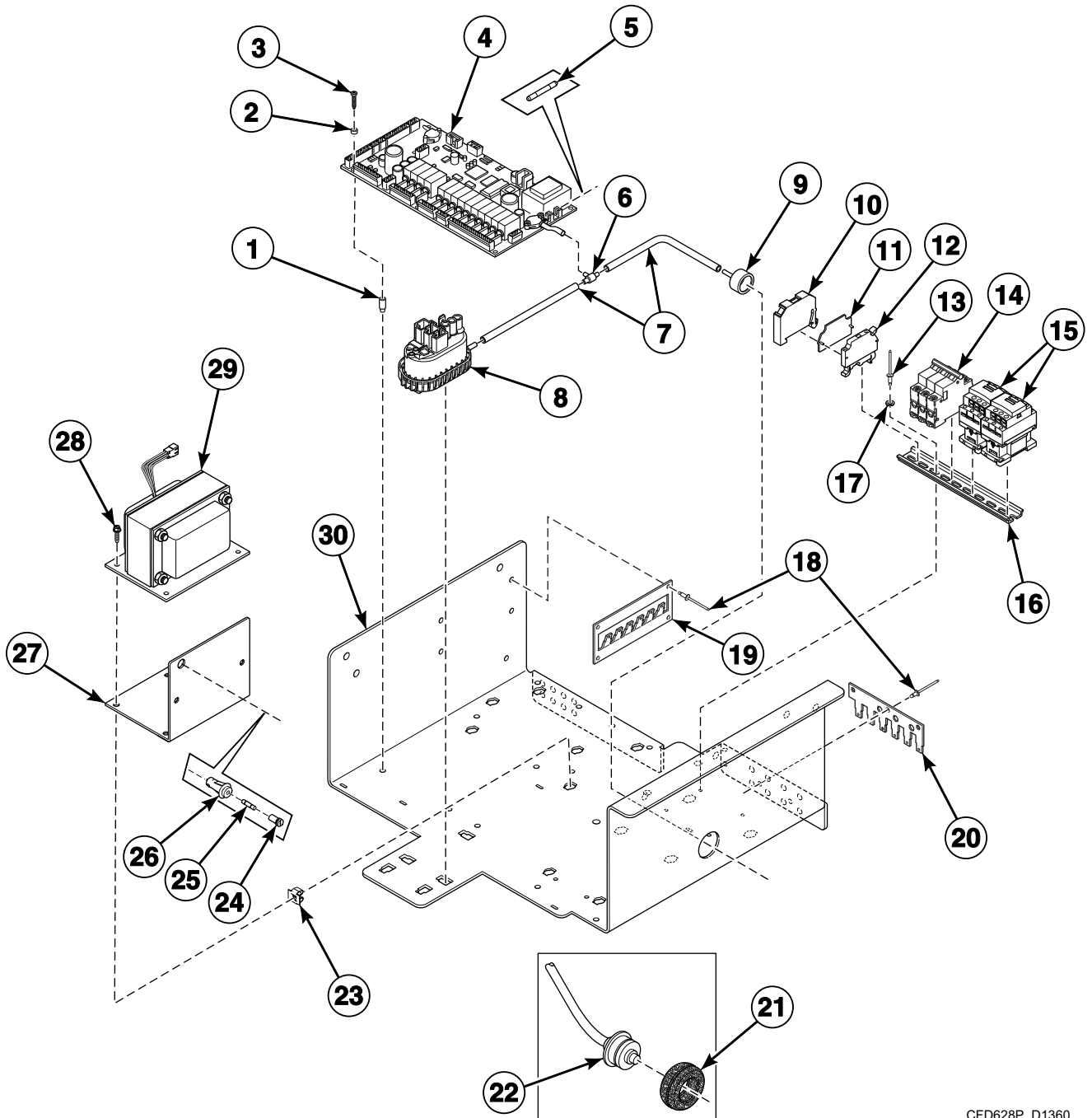


CFD600P\_D1360

# Electrical Component Mounting Plate - Cygnus Models

REF	PART NO.	DESCRIPTION	COMMENTS
	B12392701	Direct Fill Harness	
	B12381101	Main Control Tray Harness	
	B12348102	Control Supply Harness	*75 and *305 models; C and Q-voltage
	B12348801	Harness Control Comm	
	B12348301	Control Supply Harness	*55 and *235 models; N and P-voltage
	B12348302	Control Supply Harness	*75 and *305 models; N and P-voltage
	B12348101	Control Supply Harness	*55 and *235 models; C, Q and X-voltage
	B12381402	Control Supply Harness	24 VAC
	B12390201	Network Connection Wiring	
1	B12390301	Standoff	
2	B12341801	Printboard	Network models
3	209/02020/00	ID Chip	
4	223/00123/00	Washer	
5	B12393801	Screw	
6	B12355701	Control Board	
	B12360001	Fuse	1.25A
7	B12509701	Pressure Switch	Single lever; 300/255; Steam and electric heat
8	223/00173/10	Pressure Switch Hose Tee	
9	223/00333/00	Pressure Hose	
10	223/00035/02	Pressure Switch Cap	
11	201616	Transformer	Models with extension boards
12	B12462901	Screw	
13	B12449601	Expansion Clip	
14	209/00633/02	End Stop	Electric, steam or dual heat; 2 on *75 and *305 models without heat
15	260/00036/01	Connection Clamp Fuse Holder Final Plate	*75 and *305 models
16	260/00036/00	Connection Clamp Fuse Holder	*75 and *305 models
	B12389501	Fuse	*75 and *305 models
17	208/00017/00	Rivet	
18	B12487101	Circuit Breaker	Electric heat; C and Q-voltage; *55 and *235 models
	B12474601	Circuit Breaker	Electric heat; N and P-voltage; *75 and *305 models with C and Q-voltage
19	209/06148/02	Heating Contactor	Electric heat
20	B12315301	DIN Rail	200 mm
21	202/00004/00	Washer	
22	208/00017/00	Rivet	
23	B12395201	Earth Plate Side	
24	B12395301	Earth Plate Bottom	
25	225/10004/00	Thermostat Seal	
26	210/01064/16	Thermostat	
27	B12439601	Transformer Fuse Mounting Plate	N and P-voltage
28	70329401	Fuse Holder Body	N and P-voltage
29	802492	Fuse	N and P-voltage
30	70329501	Fuse Holder Cap	N and P-voltage
31	B12313001	Electrical Component Mounting Plate	
32	F8401301	Transformer	N and P-voltage

# Electrical Component Mounting Plate - WE-8 Models



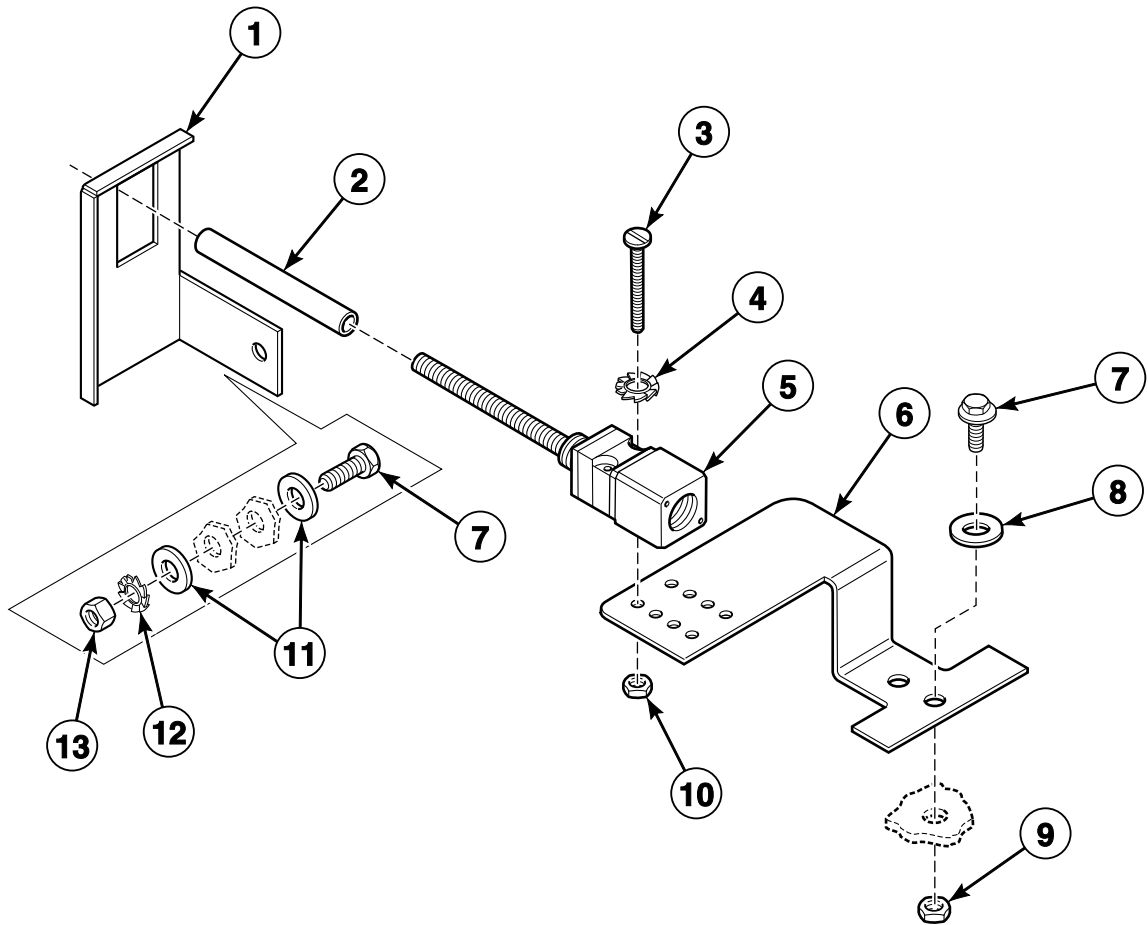
CFD628P\_D1360



## Electrical Component Mounting Plate - WE-8 Models

REF	PART NO.	DESCRIPTION	COMMENTS
	B12348303	Control Supply Harness	*55 and *235 models; N and P-voltage
	B12348103	Control Supply Harness	*55 and *235 models; C, Q and X-voltage
	B12348304	Control Supply Harness	*75 and *305 models; N and P-voltage
	B12381103	Main Control Tray Harness	
	B12392704	Direct Fill Harness	240 Volt
	B12348104	Control Supply Harness	*75 and *305 models; C and Q-voltage
1	B12390301	Standoff	
2	223/00123/00	Washer	
3	B12393801	Screw	
4	B12565801	Main Control	
5	209/00372/01	Fuse	0.125 Amps
6	223/00173/10	Pressure Switch Hose Tee	
7	223/00333/00	Pressure Hose	
8	B12509701	Pressure Switch	Single lever; 300/255; Electric and steam heat
9	223/00035/02	Pressure Switch Cap	
10	209/00633/02	End Stop	Electric and steam heat; 2 on *75 and *305 models without heat
11	260/00036/01	Connection Clamp Fuse Holder Final Plate	*75 and *305 models
12	260/00036/00	Connection Clamp Fuse Holder	*75 and *305 models
	B12389501	Fuse	*75 and *305 models
13	208/00017/00	Rivet	
14	B12487101	Circuit Breaker	Electric heat; C and Q-voltage; *55 and *235 models
	B12474601	Circuit Breaker	Electric heat; N and P-voltage; *75 and *305 models with C and Q-voltage
15	209/06148/02	Heating Contactor	Electric heat
16	B12315301	DIN Rail	200 mm
17	202/00004/00	Washer	
18	208/00017/00	Rivet	
19	B12395201	Earth Plate Side	
20	B12395301	Earth Plate Bottom	
21	225/10004/00	Thermostat Seal	
22	210/01064/16	Thermostat	
23	B12449601	Expansion Clip	
24	70329501	Fuse Holder Cap	N and P-voltage
25	802492	Fuse	N and P-voltage
26	70329401	Fuse Holder Body	N and P-voltage
27	B12439701	Transformer Fuse Mounting Plate	N and P-voltage
28	B12462901	Screw	
29	B12313002	Electrical Component Mounting Plate	
30	F8401301	Transformer	N and P-voltage

# Balance Switch

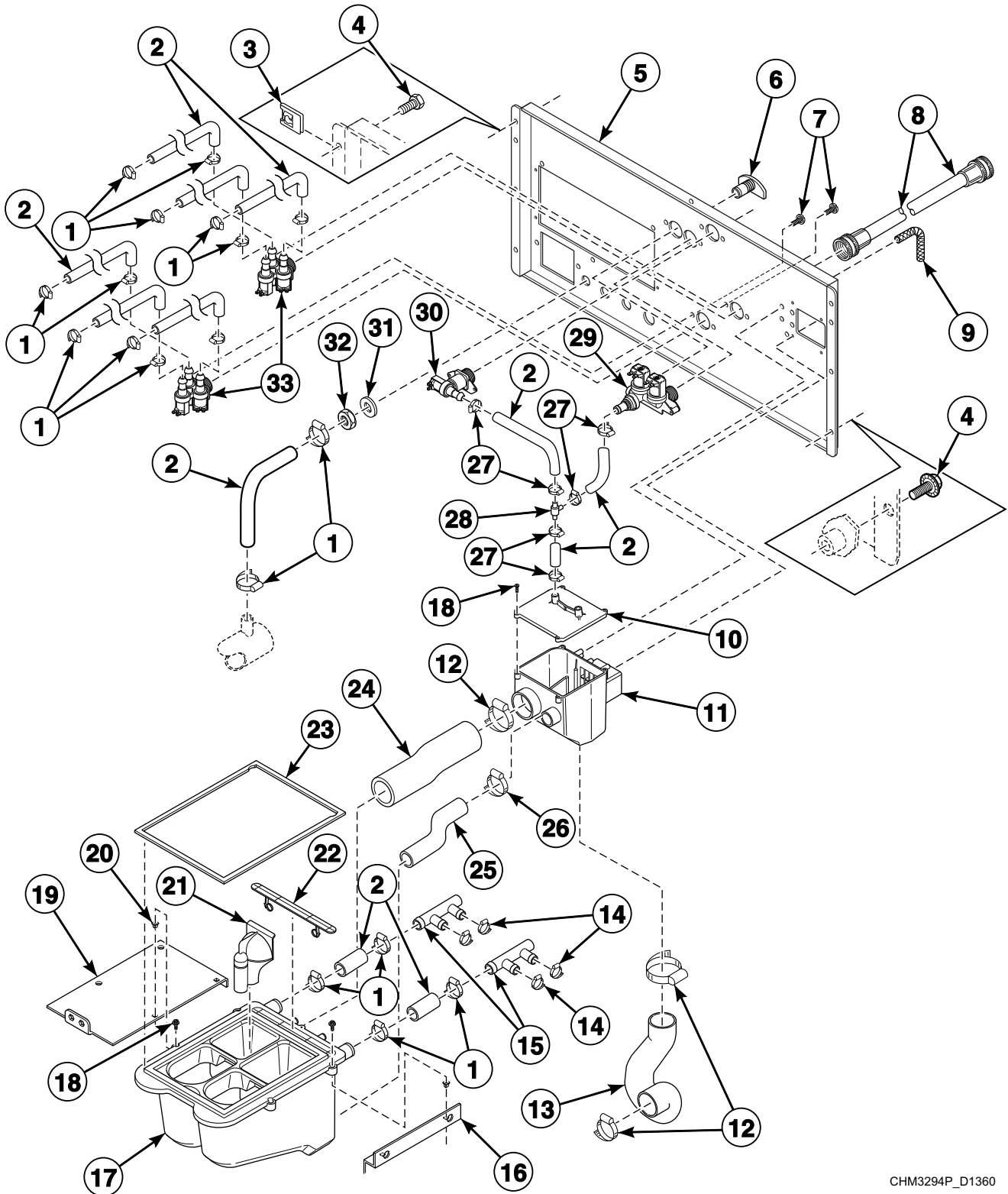


CFD622P\_D1360

# Balance Switch

REF	PART NO.	DESCRIPTION	COMMENTS
	B12349902	Out-of-Balance Switch Harness	
1	111/32959/00	Out-of-Balance Switch Bracket	
2	223/00246/00	Out-of-Balance Switch Boot	
3	207/00018/00	Screw	
4	203/00006/00	Washer	
5	209/00255/00	Out-of-Balance Switch	
6	B12430301	Tilt Switch Support	
7	205/00107/00	Bolt	
8	202/00101/00	Washer	
9	204/00009/00	Nut	
10	204/00007/00	Nut	
11	201/00010/00	Washer	
12	203/00003/00	Washer	
13	204/00004/00	Nut	

# Fill Plumbing Assembly

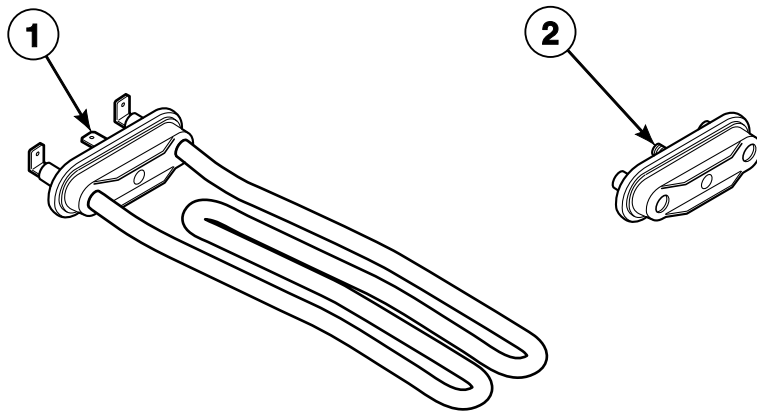


CHM3294P\_D1360

## Fill Plumbing Assembly

REF	PART NO.	DESCRIPTION	COMMENTS
	B12349201	Inlet Valve Harness	*55 and *235 Cygnus models; Models JXW305C, JXW305X and JXW305Y
	B12349203	Inlet Valve Harness	*75 and *305 Cygnus models
	B12349202	Inlet Valve Harness	WE-8 *55 and *235 models
	B12349204	Inlet Valve Harness	WE-8 *75 and *305 models
1	223/00010/00	Hose Clamp	
2	223/00044/01	Water Hose	
3	B12449601	Expansion Clip	
4	B12462901	Screw	
5	B12354601	Backbridge	*55 and *235 models
	B12339701	Backbridge	*75 and *305 models
6	223/00001/04	Prewash and Mainwash Nozzle	
7	206/00027/00	Bolt	
8	F200164	Water Hose	Standard thread
	F200166	Water Hose	Metric thread
9	B12687401	Pressure Hose	
10	F8439301	Vacuum Breaker Cover	
11	F8048601	Vacuum Breaker Assembly	Includes item 10
12	223/00014/00	Hose Clamp	
13	B12324403	Siphon Break Hose	*55 and *235 models
	B12324402	Siphon Break Hose	*75 and *305 models
14	223/00011/00	Hose Clamp	
15	F8333201	Manifold	
16	B12316401	Supply Dispenser Support	
17	F8047401	Dispenser Assembly	
18	B12462801	Screw	
19	B12337301	Supply Dispenser Mounting Plate	
20	B12463001	Insert	
21	F8047901	Siphon Cover	
22	F8047801	Access Cover	
23	F8308301	Dispenser Gasket	
24	B12390005	Vacuum Supply Hose	
25	B12313304	Dispenser Overflow Hose	
26	223/00223/00	Hose Clamp	
27	223/00013/00	Hose Clamp	
28	223/00041/00	Water Inlet Tee	
29	F8434001	Mixing Valve	Standard thread
	F8434002	Mixing Valve	Metric thread
30	209/00276/00	Inlet Valve	1-way; Metric thread; Hard water rinse optional
	223/00050/01	Water Valve Adapter	Standard thread
31	201/00002/00	Washer	
32	204/00201/00	Nut	
33	B12496101	Inlet Valve	3-way; Standard thread
	B12496201	Inlet Valve	3-way; Metric thread

# Steam and Electric Heating Options

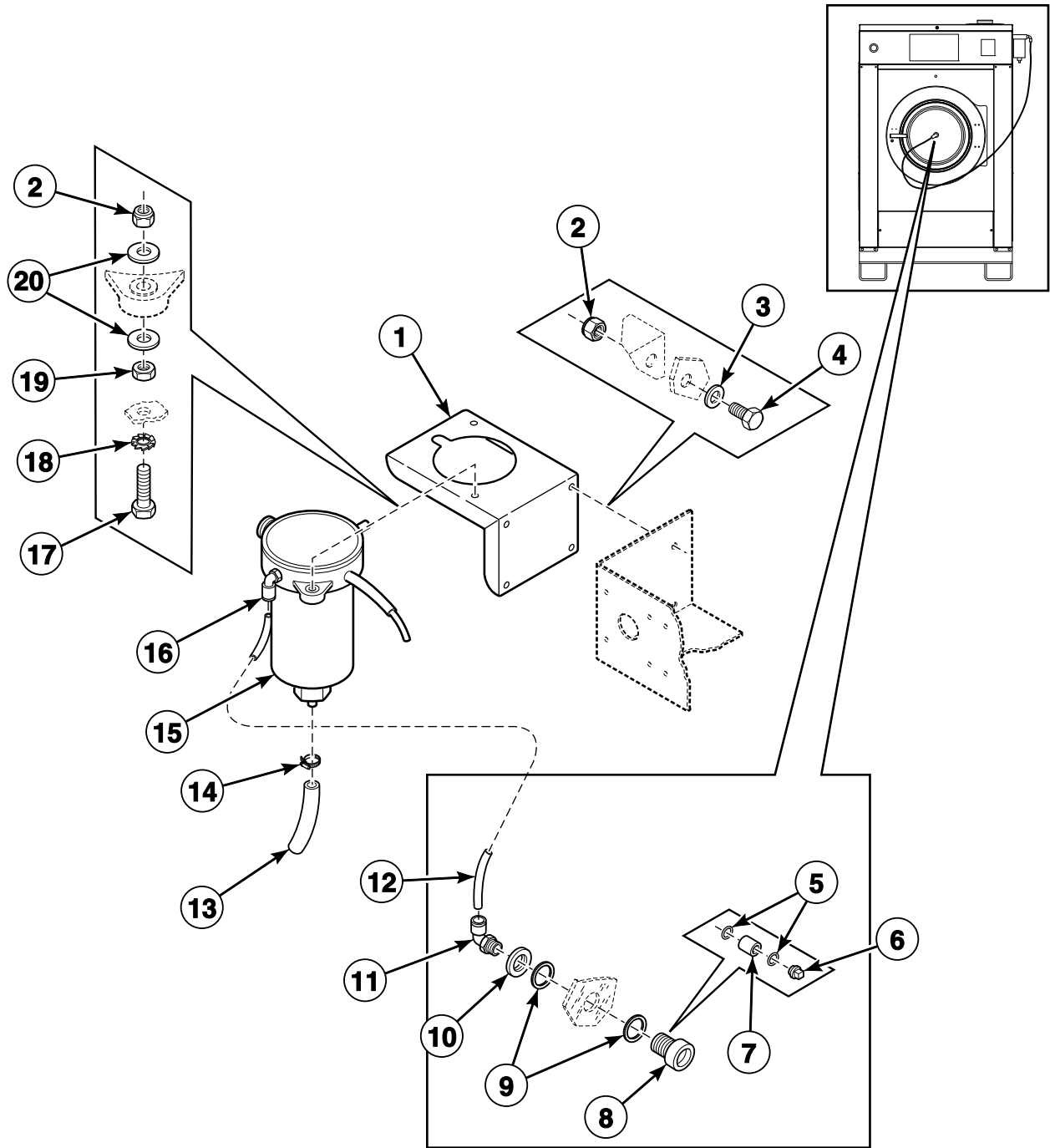


CFD601P\_D1360

## Steam and Electric Heating Options

REF	PART NO.	DESCRIPTION	COMMENTS
	B12381301	Heating Harness	Electric heat; Q-voltage; *75 and *305 models with C and P-voltage
	B12308001	Relay	Steam heat
	B12382302	Steam Valve Harness	
	B12348501	Branch Harness	Electric heat; N-voltage; *55 and *235 models with P-voltage
	B12348502	Branch Harness	Electric heat; C-voltage; *55 and *235 models
	B12348506	Branch Harness	Electric heat; Q-voltage; *75 and *305 models with C and P-voltage
	B12349603	Electric Heat Harness	Cygnus models
	B12349604	Electric Heat Harness	WE-8 models
	B12349701	Steam Heat Harness	Cygnus models
	B12349704	Steam Heat Harness	WE-8 models
	B12349803	Dual Heat Harness	Cygnus models
	B12349802	Dual Heat Harness	WE-8 models
	B12381204	Power Jumper Harness	Electric heat; Q-voltage; *55 and *235 models
	B12381203	Power Jumper Harness	Electric heat; Q-voltage; *75 and *305 models
	B12455804	Heat Harness	Electric heat; 1; Q-voltage; *75 and *305 models with C and P-voltage
	B12455805	Heat Harness	Electric heat; 2; Q-voltage; *75 and *305 models with C and P-voltage
	B12455904	Heat Harness	Electric heat; 1; N-voltage; *55 and *235 models with C and P-voltage
	B12455905	Heat Harness	Electric heat; 2; N-voltage; *55 and *235 models with C and P-voltage
<b>1</b>	209/00581/10	Heating Element	4 kW; 380 Volt; C, N and P-voltage; *75 and *305 models
	209/00562/20	Heating Element	3 kW; 240 Volt; Q-voltage; *55 and *235 models with C, N and P-voltage
<b>2</b>	F360202	Heating Element Plug	

# Spray Pump



CFD630P\_D1360



# Spray Pump

REF	PART NO.	DESCRIPTION	COMMENTS
1	111/10179/00	Spray Pump Mounting Plate	
2	204/00009/00	Nut	
3	201/00007/00	Washer	
4	205/00107/00	Bolt	
5	223/00177/00	O-Ring	
6	223/00178/00	Soap Injector Orifice	
7	211/00126/00	Soap Injector Orifice Nipple	
8	211/00127/00	Soap Injector Connector	
9	223/00176/00	O-Ring	
10	211/10106/00	Nut	
11	223/00182/00	Soap Injector Coupling	
12	223/00180/00	Soap Injector Hose	
13	223/00179/10	Pressure Hose	
14	F140605	Cable Tie	
15	209/00369/00	Liquid Soap Spray Pump	
16	223/00181/00	Soap Injector Elbow Coupling	
17	205/00103/00	Bolt	
18	203/00004/00	Washer	
19	204/00106/00	Nut	
20	202/00101/00	Washer	



# Parts Index

## A

Access Cover	
F8047801 .....	67
Air Inlet	
B12342501 .....	55
Air Inlet Bottom	
B12342701 .....	55

## B

Backbridge	
B12339701 .....	49, 55, 67
B12354601 .....	47, 55, 67
Ball Bearing	
212/00004/00 .....	19, 21
Basket	
B12380901 .....	15, 23
B12381001 .....	15, 23
Bearing	
F100134 .....	19, 21
Bearing and Seal Kit	
3884P .....	19
Bearing Housing Assembly	
139/10006/00 .....	19
212/00036/00 .....	21
Bearing Housing Cover	
112/00004/00 .....	21
Bearing Replacement Kit	
892P3 .....	21
Bearing Replacement Tool Kit	
381P3P .....	19
381P3-1 .....	19
385P4P .....	21
385P4-1 .....	21
Bearing Spacer	
232/00020/00 .....	25
Belt	
226/00149/00 .....	23, 27
226/00151/00 .....	25
Bolt	
205/00102/00 .....	19
205/00103/00 .....	15, 17, 31, 33, 47, 49, 71
205/00104/00 .....	19, 21, 37
205/00105/00 .....	47, 49
205/00107/00 .....	65, 71
206/00003/00 .....	27, 29
206/00004/00 .....	23
206/00006/00 .....	27, 29
206/00009/00 .....	31, 33
206/00010/00 .....	21
206/00014/00 .....	19
206/00027/00 .....	67
206/00032/00 .....	15, 17
206/00042/00 .....	47, 49
206/00047/00 .....	21, 29
206/00066/00 .....	15, 17
206/00071/00 .....	15, 17
206/00072/00 .....	27, 29
206/00087/00 .....	11

206/00088/00 .....	55
206/00122/00 .....	21
206/00153/00 .....	11, 13
224/00046/00 .....	11, 13
248/00114/00 .....	19

Branch Harness	
B12348501 .....	69
B12348502 .....	69
B12348506 .....	69

## C

Cable Tie	
F140605 .....	71
Caddy Bracket	
224/00051/00 .....	19, 21
224/00052/00 .....	19, 21
Central Control Board	
209/00438/50 .....	59
Circuit Breaker	
B12474601 .....	61, 63
B12487101 .....	61, 63
Clip	
224/00052/00 .....	19
Connection Clamp Fuse Holder	
260/00036/00 .....	61, 63
Connection Clamp Fuse Holder Final Plate	
260/00036/01 .....	61, 63
Contact Harness	
B12491701 .....	39, 41, 43, 45
B12491801 .....	39, 41, 43, 45
Contact Switch	
209/00029/26 .....	39, 41, 43, 45
209/00099/26 .....	39, 41, 43, 45
Control Board	
B12355701 .....	61
Control Supply Harness	
B12348102 .....	61
B12348103 .....	63
B12348104 .....	63
B12348201 .....	55
B12348301 .....	61
B12348302 .....	61
B12348303 .....	63
B12348304 .....	63
B12348401 .....	55
B12381402 .....	61
Controll Supply Harness	
B12348101 .....	61
Counter Ring	
219/00004/00 .....	23
232/00008/00 .....	25
Counterweight	
115/00136/00 .....	17
115/00140/00 .....	15

## D

Data Card Ribbon Assembly	
B12538301 .....	39, 41, 43

N/A items do not appear in index.

Datacard	
209/02024/00 .....	39, 41, 43
Datacard Cover	
223/00348/00 .....	39, 41
Detergent PC-Board	
209/02005/00 .....	57
209/02008/00 .....	57
DIN Rail	
B12315301 .....	61, 63
B12315401 .....	57, 59
Direct Fill Harness	
B12392701 .....	61
B12392704 .....	63
Dispenser Assembly	
F8047401 .....	67
Dispenser Gasket	
F8308301 .....	67
Dispenser Overflow Hose	
B12313304 .....	67
Display	
209/00580/03 .....	45
Display PC-Board	
209/02002/ZB2 .....	39
Door Frame	
B12337201 .....	37
Door Front Panel	
111/05015/00 .....	15
111/32945/00 .....	17
Door Glass	
B12449801 .....	37
Door Glass Seal	
223/00068/00 .....	37
Door Handle	
B12336301 .....	37
B12336302 .....	37
Door Handle Stop	
217/00016/00 .....	37
Door Hinge Block	
253/00022/00 .....	37
Door Hinge Spacer	
118/00122/00 .....	37
118/00124/00 .....	37
Door Lock Assembly	
B12517701 .....	35
Door Lock Harness	
B12495001 .....	35
B12495002 .....	35
Door Lock PC-Board	
B12388201 .....	39, 41, 43
Door Solenoid Assembly	
B12518101 .....	35
Door Stop	
118/00126/00 .....	37
Drain Pipe	
223/00106/00 .....	31, 33
Drain Tub to Drain Valve Hose	
B12403201 .....	31, 33
Drain Valve	
209/00075/00 .....	31, 33
Drain Valve Cover	
223/00225/00 .....	31, 33
Drain Valve Fuse Harness	
B12495801 .....	31, 33

Drain Valve Harness	
B12349401 .....	31, 33
Drain Valve Motor	
209/00051/11 .....	31, 33
Drain Valve Overflow Plug	
223/00086/00 .....	31, 33
Drain Valve Plate Assembly	
114/00010/00 .....	31, 33
Drain Valve to Drain Tube Hose	
223/00328/00 .....	31, 33
Drive Source Harness	
B12495601 .....	55
B12495602 .....	55
Drum	
B12327301 .....	17, 25
Dual Heat Harness	
B12349802 .....	69
B12349803 .....	69
Dual Heat Sticker	
B12523901 .....	39, 41, 43

---

## E

Earth Plate Bottom	
B12395301 .....	61, 63
Earth Plate Side	
B12395201 .....	61, 63
Electric Heat Harness	
B12349603 .....	69
B12349604 .....	69
Electrical Component Mounting Plate	
B12313001 .....	61
B12313002 .....	63
End Stop	
209/00633/02 .....	57, 59, 61, 63
E-Stop Drive Fan Harness	
B12501501 .....	55
B12501502 .....	55
E-Stop Drive Harness	
B12348903 .....	45
E-Stop Harness	
B12348901 .....	39, 41, 43
B12348902 .....	45
Ethernet Cable	
B12350101 .....	55
Expansion Clip	
B12449601 .....	61, 63, 67
Extension Board Kit	
B12529201 .....	57

---

## F

Fan	
209/00465/00 .....	55
Fan Mounting Plate	
B12357201 .....	55
Flat Cable Plate	
B12382501 .....	57
Frame	
114/00018/50 .....	9
114/00019/50 .....	7

N/A items do not appear in index.

Front Panel	
131/00002/00 .....	17
Fuse	
B12360001 .....	61
B12389501 .....	55, 61, 63
209/00372/01 .....	63
209/00468/00 .....	55
802492 .....	61, 63
Fuse Holder Body	
70329401 .....	61, 63
Fuse Holder Cap	
70329501 .....	61, 63

## G

Gasket	
246/00092/00 .....	15, 17
246/00149/00 .....	47, 49
Grease Ring	
212/00007/00 .....	21
Ground Lug Connector	
M411283 .....	57, 59

## H

Hardware Kit	
F405P4 .....	21
F407P4 .....	19
Harness Control Comm	
B12348801 .....	61
Heat Harness	
B12455804 .....	69
B12455805 .....	69
B12455904 .....	69
B12455905 .....	69
Heating Contactor	
209/06148/02 .....	61, 63
Heating Element	
209/00562/20 .....	69
209/00581/10 .....	69
Heating Element Plug	
F360202 .....	69
Heating Harness	
B12381301 .....	69
Hinge	
221/00004/00 .....	37
Hose Clamp	
223/00010/00 .....	67
223/00011/00 .....	67
223/00012/00 .....	31, 33
223/00013/00 .....	31, 33, 67
223/00014/00 .....	67
223/00071/00 .....	31, 33
223/00223/00 .....	67

## I

ID Chip	
209/02020/00 .....	61
Infrared Cable Kit	
210/00902/00 .....	39, 41, 43

Inlet Valve	
B12496101 .....	67
B12496201 .....	67
209/00276/00 .....	67
Inlet Valve Harness	
B12349201 .....	67
B12349202 .....	67
B12349203 .....	67
B12349204 .....	67
Insert	
B12463001 .....	67
Insulating Sticker	
229/00268/00 .....	39
229/00291/00 .....	41
Inverter	
227/00224/00 .....	55
227/00230/00 .....	55
227/00231/00 .....	55
227/00238/00 .....	55
Inverter Air Inlet Filter Frame	
B12346701 .....	55
B12372401 .....	55
Inverter Air Inlet Filter Grill	
B12382401 .....	55
Inverter Drive	
F8420919 .....	55
F8420920 .....	55
F8420921 .....	55
F8420922 .....	55
Inverter Drive Box	
B12333201 .....	55
B12357401 .....	55
Inverter Mounting Plate	
B12396101 .....	55

## K

Key	
212/00026/00 .....	23, 25
70155603 .....	51, 53
Key Switch Harness	
B12495501 .....	45
Kickplate	
111/32943/00 .....	47, 49

## L

Left Front Panel	
111/32951/50 .....	47, 49
Light Microswitch	
209/00273/00 .....	35
Lip Seal	
B12332301 .....	19, 21
Liquid Soap Spray Pump	
209/00369/00 .....	71
Logo Decal	
225/00436/00 .....	45
Lower Rear Panel	
B12339801 .....	53
B12354701 .....	51
Lubricator	
212/00002/00 .....	21

N/A items do not appear in index.

---

**M**

Magnet	
B12389701 .....	37
Main Control	
B12565801 .....	63
Main Control Tray Harness	
B12381101 .....	61
B12381103 .....	63
Main Switch Cover	
B12312501 .....	47, 49
Manifold	
F8333201 .....	67
Memory Card PC-Board	
B12305201 .....	39, 41, 43
Mixing Valve	
F8434001 .....	67
F8434002 .....	67
Motor	
B12510401 .....	29
B12527801 .....	27
Motor Harness	
B12382103 .....	27
B12382104 .....	29
Motor Plate	
115/10117/00 .....	29
115/10126/00 .....	27
Mounting Plate	
223/00374/00 .....	39, 41, 43
Mushroom Pushbutton	
209/00248/00 .....	45
209/00248/20 .....	39, 41, 43

---

**N**

Nameplate	
B12389801 .....	39, 41, 43
B12389802 .....	39, 41, 43
B12389803 .....	43
B12389806 .....	39, 41, 43
B12389807 .....	39
B12389810 .....	43
B12530807 .....	41, 43
Network Board	
B12344201 .....	57
Network Connection Wiring	
B12390201 .....	61
Network Kit	
B12529301 .....	57
Noise Filter	
B12339401 .....	55
227/00136/00 .....	55
227/00162/00 .....	55
227/00242/00 .....	55
Nut	
B12509101 .....	51, 53
204/00004/00 .....	25, 31, 33, 65
204/00007/00 .....	65
204/00008/00 .....	45
204/00009/00 .....	15, 17, 47, 49, 65, 71
204/00011/00 .....	47, 49, 55
204/00012/00 .....	11, 13, 29
204/00014/00 .....	55

N/A items do not appear in index.

204/00016/00 .....	11, 13
204/00019/00 .....	11, 13, 27
204/00106/00 .....	31, 33, 37, 47, 49, 71
204/00109/00 .....	47, 49
204/00111/00 .....	15, 27, 29
204/00113/00 .....	11, 13, 15, 17, 19, 21, 27, 29
204/00114/00 .....	55
204/00116/00 .....	39, 41, 43, 45, 57, 59
204/00201/00 .....	67
206/00101/00 .....	47, 49, 57, 59
211/00170/00 .....	55
211/00183/00 .....	27, 29, 55
211/10106/00 .....	71

---

**O**

Operating Panel	
B12384101 .....	39
B12384201 .....	41
B12385601 .....	43
B12436401 .....	45
B12436501 .....	45
Operating Sticker	
B12382701 .....	43
B12382801 .....	43
B12383001 .....	43
B12383101 .....	43
B12383301 .....	41
B12383401 .....	41
B12383601 .....	39
B12383701 .....	39
B12456701 .....	41
B12531801 .....	43
B12531901 .....	41
B12532001 .....	39
B12534801 .....	41
B12583501 .....	39
O-Ring	
217/00021/00 .....	37
223/00176/00 .....	71
223/00177/00 .....	71
Outlet Pipe Plate Assembly	
101/00007/00 .....	31, 33, 47, 49
Out-of-Balance Switch	
209/00255/00 .....	65
Out-of-Balance Switch Boot	
223/00246/00 .....	65
Out-of-Balance Switch Bracket	
111/32959/00 .....	65
Out-of-Balance Switch Harness	
B12349902 .....	65
Overflow Hose	
223/00131/00 .....	31, 33
Overlay	
F8435601 .....	45
225/000435/00 .....	45
225/00388/00 .....	45

---

**P**

Panel Lock	
44089303 .....	51, 53
Parameter Unit Assembly	
227/00171/00 .....	55

Parameter Unit Program Cable	227/00171/10	55
Plexi Frame	225/00321/00	39
	225/00322/00	43
	225/00323/00	41
Power Jumper Harness	B12381203	69
	B12381204	69
Pressure Hose	B12687401	67
	223/00179/10	71
	223/00333/00	31, 33, 61, 63
Pressure Switch	B12509701	61, 63
Pressure Switch Cap	223/00035/02	31, 33, 61, 63
Pressure Switch Hose Tee	223/00173/10	61, 63
Prewash and Mainwash Nozzle	223/00001/04	67
Printboard	B12341801	61
	209/02001/02	43
	209/02015/02	41
Printboard Separator	211/00128/00	39, 41, 43
Printboard Support	B12312401	57, 59
Printboard Support Card	111/01893/00	39, 41
Programming Key Contact Switch	209/00326/20	45
Protection LED	223/00330/00	43
Pulley	185/00086/00	27
	206/00152/00	29
	226/00148/00	23
	226/00150/00	25
	239/00013/00	23, 25

## R

Reed Switch Holder	B12517601	35
Relay	B12308001	69
Relay PC-Board	209/02014/00	57
	209/02016/00	57
Retainer Ring	212/00006/00	19, 21
	212/00037/00	19
Ribbon Assembly	B12388301	57
	B12388302	45
	B12388305	45
Right Front Panel	111/32957/50	47, 49
Rivet	B12500301	37
	208/00017/00	55, 57, 59, 61, 63

Roller Bearing	212/00005/00	25
----------------	--------------	----

## S

Screw	B12393801	57, 59, 61, 63
	B12462801	67
	B12462901	47, 49, 61, 63, 67
	B12500601	47, 49
	B12500801	37
	206/00049/00	27
	206/00056/00	23, 25, 29
	206/00104/00	47, 49, 51, 53, 55, 57, 59
	207/00018/00	65
	207/00102/00	35
	207/00110/00	25
	207/00126/00	37
Seal Holder Assembly	131/00035/01	21
Seal Plate Assembly	B12333701	19
Shaft Seal	132/00009/00	25
Shipping Brace	114/00023/00	9
	114/00024/00	7
Shock Absorber	247/00008/00	11, 13
Shock Absorber Service Kit	B12419101	11
	B12460901	13
Side Panel	133/00126/00	49, 53
	140/00007/00	47, 51
Side Panel Gasket	246/00079/00	49, 53
Siphon Break Hose	B12324402	67
	B12324403	67
Siphon Cover	F8047901	67
Soap Board Harness	B12495702	59
Soap Injection PCB with Fuse	209/00218/13	59
Soap Injector Connector	211/00127/00	71
Soap Injector Coupling	223/00182/00	71
Soap Injector Elbow Coupling	223/00181/00	71
Soap Injector Hose	223/00180/00	71
Soap Injector Orifice	223/00178/00	71
Soap Injector Orifice Nipple	211/00126/00	71
Spacer	B1239031	59
	115/00151/00	15, 17
	211/00140/00	45
Speed Detector	210/00074/00	19

N/A items do not appear in index.

210/00075/00 .....	21
Speed Detector Bracket	
152/00055/00 .....	19
Spray Pump Mounting Plate	
111/10179/00 .....	71
Standoff	
B12390301 .....	57, 61, 63
211/00122/00 .....	39, 41
211/00145/00 .....	39, 41
Steam Heat Harness	
B12349701 .....	69
B12349704 .....	69
Steam Valve Harness	
B12382302 .....	69
Supply Dispenser Cover	
B12319101 .....	51, 53
B12356701 .....	51, 53
Supply Dispenser Cover Frame	
B12319201 .....	51, 53
Supply Dispenser Crossbar	
B12338101 .....	49
B12354901 .....	47
Supply Dispenser Mounting Plate	
B12337301 .....	67
Supply Dispenser Support	
B12316401 .....	67
Support	
B12418401 .....	11
Suspension Spring	
B12456301 .....	11, 13
Switch Knob	
209/00099/29 .....	39, 41, 43

## T

Telem Sticker	
209/00520/00 .....	39, 41, 43, 45
Terminal Block	
209/01624/00 .....	57, 59
209/01625/00 .....	57, 59
Terminal End	
209/01625/01 .....	57, 59
Thermostat	
210/01064/16 .....	61, 63
Thermostat Seal	
225/10004/00 .....	61, 63
Threaded Rod	
B12511601 .....	11, 13, 27
Tilt Switch Support	
B12430301 .....	65
Top Cover Hinge	
B12487401 .....	47, 49
Top Cover Latch	
F8201001 .....	47, 49
Top Panel	
B12339901 .....	53
B12354801 .....	51
Transformer	
F8401301 .....	61, 63
201616 .....	61
Transformer Fuse Mounting Plate	
B12439601 .....	61
B12439701 .....	63

N/A items do not appear in index.

Tub	
B12330101 .....	15
B12330201 .....	15
B12330501 .....	17
119/00250/00 .....	15
119/00251/00 .....	15
119/00253/00 .....	15
119/10208/00 .....	17
119/10210/00 .....	17
Tub Clamp Ring	
238/00011/00 .....	15
Tub Front	
138/00001/00 .....	15
Tub Front Clamp Ring	
231/00010/00 .....	17
Tub Front Gasket	
B12351601 .....	15
223/00242/00 .....	17
Tub Front Mounting Strap	
115/00161/00 .....	15
Tub Front Panel Clip	
217/00008/00 .....	15, 17
Tub Mounting Strap	
137/00008/00 .....	15
Tub Strap	
131/00010/00 .....	17
Tub Support	
115/00118/00 .....	9
115/00144/00 .....	7
Tub Tightening Ring	
115/00163/00 .....	17

## V

Vacuum Breaker Assembly	
F8048601 .....	67
Vacuum Breaker Cover	
F8439301 .....	67
Vacuum Supply Hose	
B12390005 .....	67
Voltage Discharge Decal	
B12355001 .....	55

## W

Washer	
201/00001/00 .....	11, 13, 15, 17, 19, 21, 29
201/00002/00 .....	27, 67
201/00004/00 .....	27, 29
201/00007/00 .....	15, 17, 71
201/00010/00 .....	11, 13, 47, 49, 65
201/00011/00 .....	23, 25
201/00102/00 .....	19
201/00201/00 .....	19
201/00202/00 .....	21
202/00002/00 .....	31, 33
202/00003/00 .....	19
202/00004/00 .....	55, 57, 59, 61, 63
202/00101/00 .....	17, 37, 65, 71
202/00104/00 .....	37
202/00112/00 .....	15
203/00001/00 .....	23, 25
203/00002/00 .....	29



203/00003/00 .....	21, 31, 33, 65
203/00004/00 .....	19, 31, 33, 47, 49, 71
203/00006/00 .....	55, 65
203/00007/00 .....	45
223/00123/00 .....	39, 41, 43, 45, 57, 59, 61, 63
Water Hose	
F200164 .....	67
F200166 .....	67
223/00044/01 .....	67
Water Inlet Tee	
223/00041/00 .....	67
Water Valve Adapter	
223/00050/01 .....	67
Wiring Earth for Inverter	
B12456001 .....	57
Wiring Earth for Tub	
B12456002 .....	59

---

